



# Malaguti

IDEE IN MOTO

## F 10 WAP RETYLING KAT EURO 2 ( '01/'02 - ZJM 48)



### TELAIO - INDICE TAVOLE

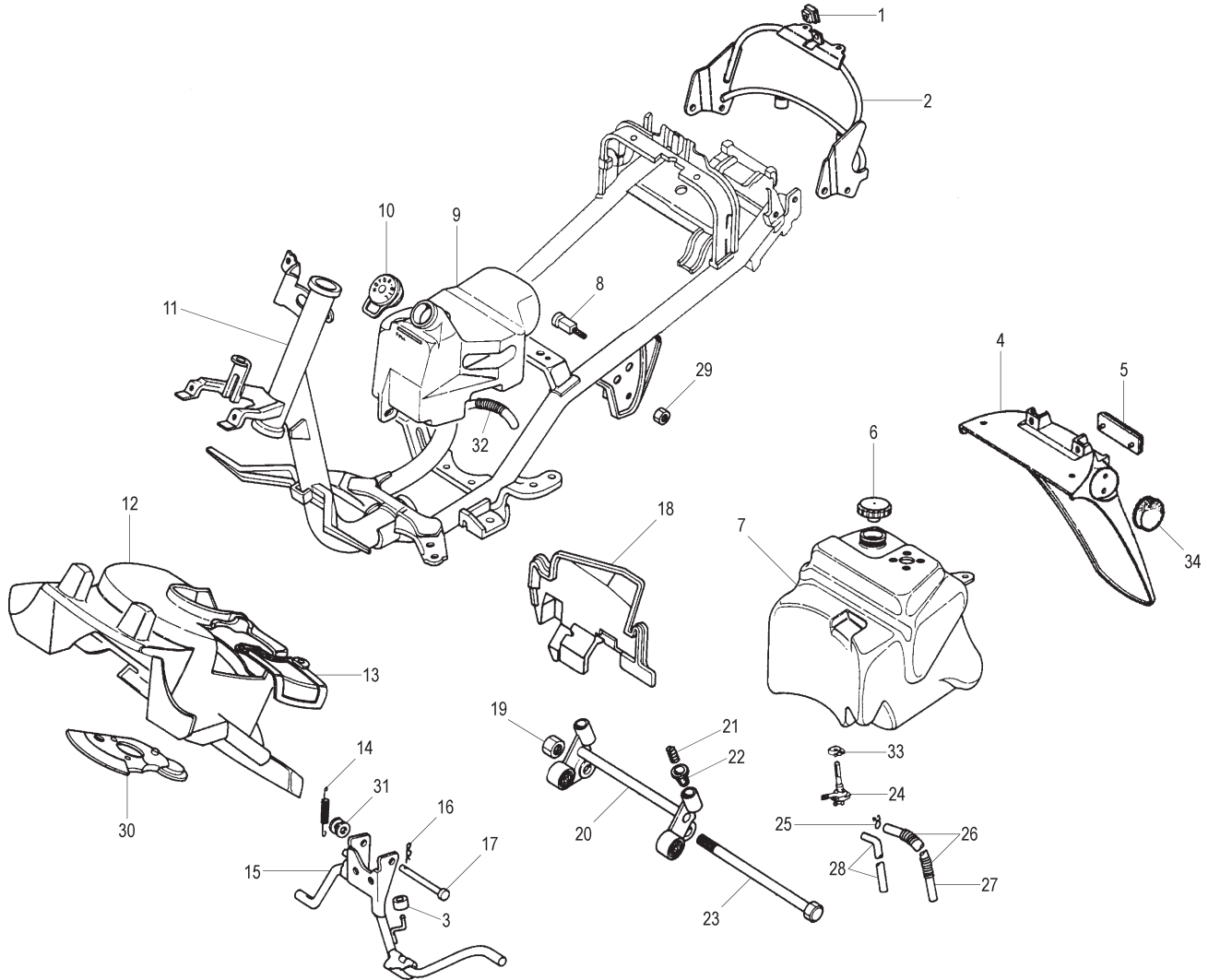
### FRAME - INDEX OF THE TABLES

|                    |                       |                   |                   |                   |
|--------------------|-----------------------|-------------------|-------------------|-------------------|
| <b>TAV. A</b><br>  | <b>TAV. C - D</b><br> | <b>TAV. E</b><br> | <b>TAV. F</b><br> | <b>TAV. G</b><br> |
| <b>TAV. H</b><br>  | <b>TAV. I</b><br>     | <b>TAV. L</b><br> | <b>TAV. M</b><br> | <b>TAV. N</b><br> |
| <b>TAV. OO</b><br> | <b>TAV. O</b><br>     |                   |                   |                   |

### MOTORE - INDICE TAVOLE

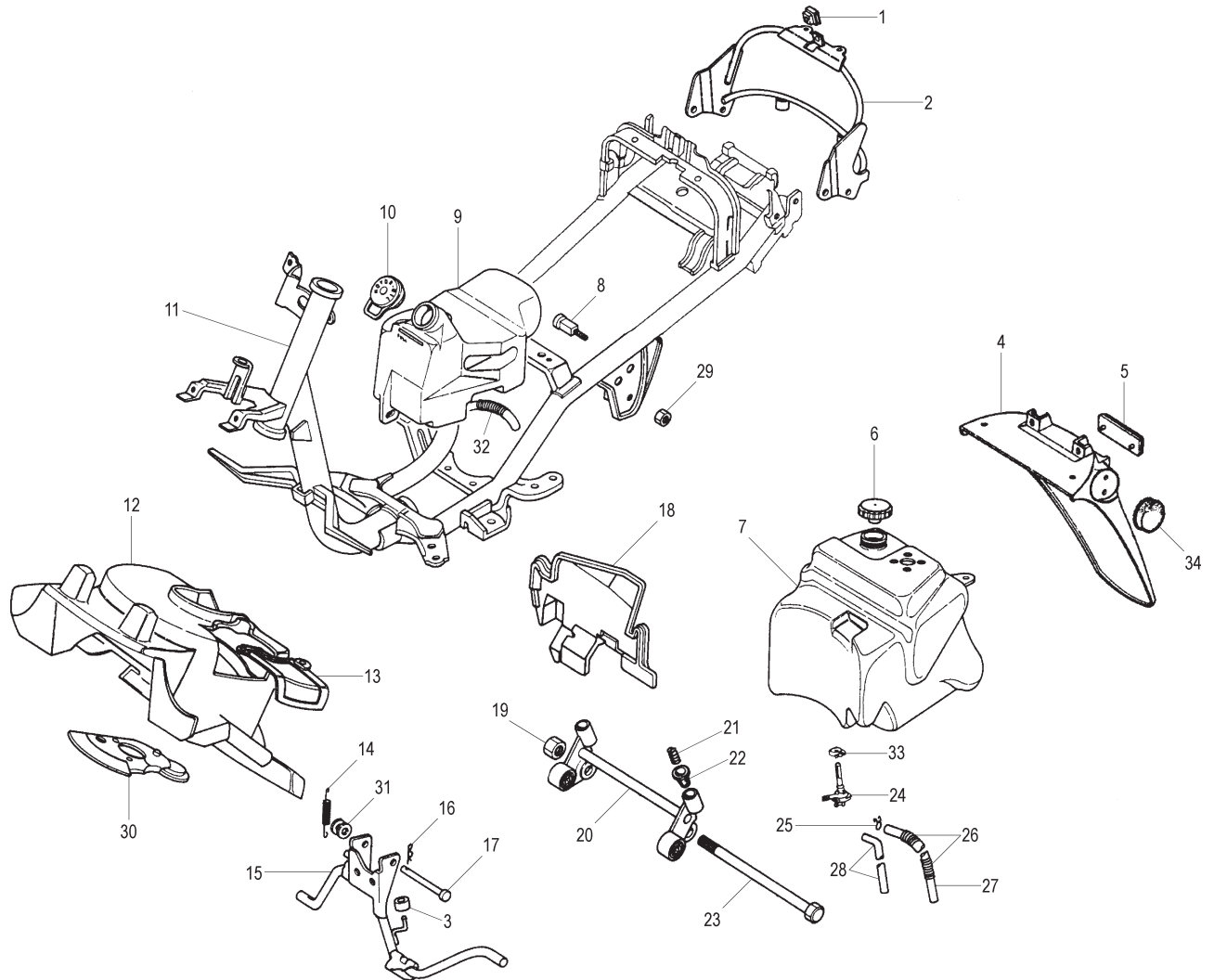
### ENGINE - INDEX OF THE TABLES

|                   |                    |  |  |  |
|-------------------|--------------------|--|--|--|
| <b>TAV. R</b><br> | <b>TAV. R1</b><br> |  |  |  |
|-------------------|--------------------|--|--|--|

**Telaio e serbatoio - Tank & frame**


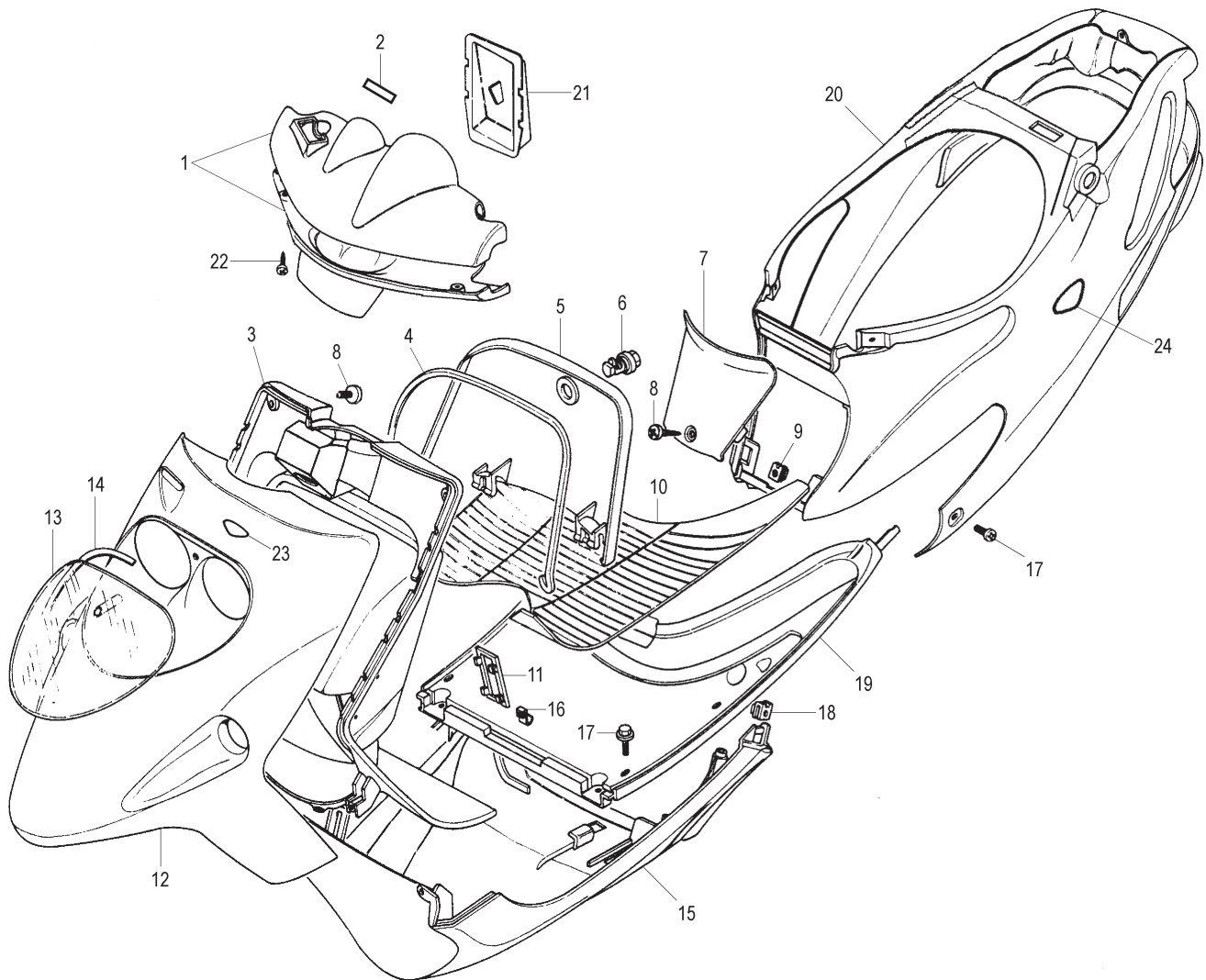
| Nr. | Codice     | Q.tà | Descrizione                       |
|-----|------------|------|-----------------------------------|
| 1   | 184.007.00 | 1    | Clips vite autofilettante         |
| 2   | 156.059.99 | 1    | Telaio supporto porta pacco       |
| 3   | 072.064.00 | 1    | Gommino cavalletto                |
| 4   | 057.034.07 | 1    | Codino parafrangente posteriore   |
| 5   | 071.117.01 | 1    | Catadiottro rosso                 |
| 6   | 092.016.03 | 1    | Tappo serbatoio benzina           |
| 7   | 161.063.00 | 1    | Serbatoio benzina                 |
| 8   | 190.020.13 | 2    | Perno supporto motore             |
| 9   | 069.011.00 | 1    | Serbatoio olio                    |
| 10  | 071.144.00 | 1    | Tappo serbatoio olio              |
| 11  | 156.061.99 | 1    | Telaio                            |
| 12  | 055.040.03 | 1    | Parafrangente anteriore           |
| 13  | 071.150.03 | 1    | Coperchio parafrangente anteriore |
| 14  | 147.109.13 | 1    | Molla doppia cavalletto           |
| 15  | 158.034.99 | 1    | Cavalletto completo               |
| 16  | 184.011.00 | 1    | Copiglia                          |
| 17  | 150.177.15 | 1    | Perno cavalletto                  |
| 18  | 057.031.00 | 1    | Bancalina motore                  |
| 19  | 185.011.00 | 1    | Dado fulcro motore                |
| 20  | 174.018.99 | 1    | Attacco motore completo           |
| 21  | 147.106.14 | 2    | Molla antivibrazione              |
| 22  | 080.010.00 | 2    | Portamolla in gomma               |
| 23  | 190.019.13 | 1    | Perno motore                      |
| 24  | 093.045.00 | 1    | Rubinetto benzina                 |
| 25  | 167.018.13 | 2    | Fascetta benzina                  |

| No. | Code       | Q.ty | Description              |
|-----|------------|------|--------------------------|
| 1   | 184.007.00 | 1    | Fairing fixing clip      |
| 2   | 156.059.99 | 1    | Rear rack fixing bracket |
| 3   | 072.064.00 | 1    | Main stand bump stop     |
| 4   | 057.034.07 | 1    | Rear splash guard        |
| 5   | 071.117.01 | 1    | Reflector                |
| 6   | 092.016.03 | 1    | Fuel tank cap            |
| 7   | 161.063.00 | 1    | Fuel tank                |
| 8   | 190.020.13 | 2    | Engine mounting bolt     |
| 9   | 069.011.00 | 1    | Oil tank                 |
| 10  | 071.144.00 | 1    | Oil tank cap             |
| 11  | 156.061.99 | 1    | Frame                    |
| 12  | 055.040.03 | 1    | Front mudguard           |
| 13  | 071.150.03 | 1    | Front mudguard cover     |
| 14  | 147.109.13 | 1    | Main stand spring        |
| 15  | 158.034.99 | 1    | Main stand assy          |
| 16  | 184.011.00 | 1    | Split pin                |
| 17  | 150.177.15 | 1    | Main stand pivot pin     |
| 18  | 057.031.00 | 1    | Engine panel             |
| 19  | 185.011.00 | 1    | Lower engine mount nut   |
| 20  | 174.018.99 | 1    | Engine mount bracket     |
| 21  | 147.106.14 | 2    | Full bump spring         |
| 22  | 080.010.00 | 2    | Full bump spring cup     |
| 23  | 190.019.13 | 1    | Lower engine mount bolt  |
| 24  | 093.045.00 | 1    | Fuel cock                |
| 25  | 167.018.13 | 2    | Petrol pipe clamp        |



| Nr. | Codice     | Q.tà | Descrizione                   |
|-----|------------|------|-------------------------------|
| 26  | 147.080.13 | 1    | Molla protezione tubo benzina |
| 27  | 180.010.50 | 1    | Tubo benzina                  |
| 28  | 180.003.54 | 1    | Tubo benzina                  |
| 29  | 185.012.00 | 2    | Dado fulcro bilanciere        |
| 30  | 057.032.03 | 1    | Bancalina forcella            |
| 31  | 071.140.03 | 1    | Rondella in gomma             |
| 32  | 147.084.13 | 1    | Molla protezione tubo olio    |
| 33  | 167.031.00 | 1    | Fascetta rubinetto benzina    |
| 34  | 071.225.00 | 2    | Catadiottro ambra             |

| No. | Code       | Q.ty | Description           |
|-----|------------|------|-----------------------|
| 26  | 147.080.13 | 1    | Pipe spring           |
| 27  | 180.010.50 | 1    | Fuel hose             |
| 28  | 180.003.54 | 1    | Fuel hose             |
| 29  | 185.012.00 | 2    | Nut                   |
| 30  | 057.032.03 | 1    | Bottom yoke protector |
| 31  | 071.140.03 | 1    | Main stand washer     |
| 32  | 147.084.13 | 1    | Oil pipe spring       |
| 33  | 167.031.00 | 1    | Petrol pipe clamp     |
| 34  | 071.225.00 | 2    | Amber reflector       |

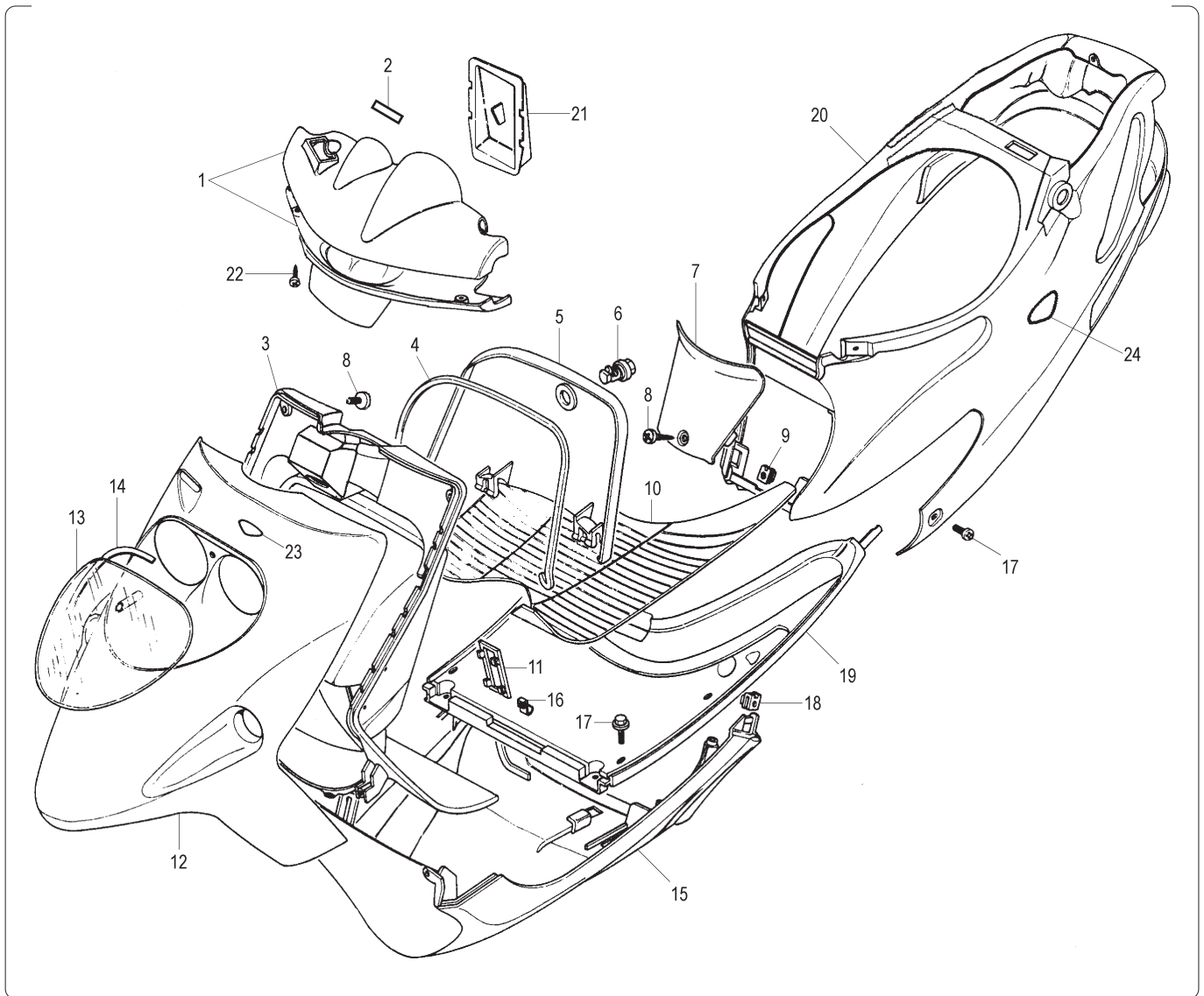


| Nr. | Codice      | Q.tà | Descrizione                       |
|-----|-------------|------|-----------------------------------|
| 1   | 071.284.- - | 1    | Coprimanubrio (super. + infer.) * |
| 2   | 181.126.00  | 1    | Marca cruscotto                   |
| 3   | 065.035.03  | 1    | Paragambe                         |
| 4   | 072.051.03  | 1    | Guarnizione bauletto              |
| 5   | 071.141.03  | 1    | Coperchio bauletto                |
| 6   | 090.024.00  | 1    | Serratura bauletto                |
| 7   | 071.147.- - | 1    | Coperchio carena *                |
| 8   | 184.041.15  | 14   | Vite scudo paragambe              |
| 9   | 184.007.00  | 6    | Clips vite autofilettante         |
| 10  | 064.008.07  | 1    | Pedana in gomma                   |
| 11  | 071.145.00  | 1    | Coperchio numeri                  |
| 12  | 066.042.- - | 1    | Scudo anteriore *                 |
| 13  | 063.131.00  | 1    | Kit protezione trasparente faro   |
| 14  | 071.153.00  | 1    | Biadesivo protezione faro         |
| 15  | 063.078.- - | 1    | Puntone *                         |
| 16  | 188.043.15  | 2    | Cerniera                          |
| 17  | 184.155.15  | 6    | Vite pedana - carena              |
| 18  | 184.008.00  | 2    | Dado a molla                      |
| 19  | 064.009.03  | 1    | Pedana in plastica                |
| 20  | 063.079.- - | 1    | Carena posteriore *               |
| 21  | 071.151.07  | 1    | Coperchio portabatteria           |
| 22  | 184.071.15  | 3    | Vite coprimanubrio                |
| 23  | 181.338.00  | 1    | Marca scudo                       |

| No. | Code        | Q.ty | Description                       |
|-----|-------------|------|-----------------------------------|
| 1   | 071.284.- - | 1    | Handlebar cover * (upper + lower) |
| 2   | 181.126.00  | 1    | Dashboard label                   |
| 3   | 065.035.03  | 1    | Front inner shield                |
| 4   | 072.051.03  | 1    | Glove box seal                    |
| 5   | 071.141.03  | 1    | Glove box cover                   |
| 6   | 090.024.00  | 1    | Glove box lock                    |
| 7   | 071.147.- - | 1    | Inspection cover *                |
| 8   | 184.041.15  | 14   | Screw                             |
| 9   | 184.007.00  | 6    | Fairing fixing clips              |
| 10  | 064.008.07  | 1    | Mat                               |
| 11  | 071.145.00  | 1    | VIN numbers inspection cover      |
| 12  | 066.042.- - | 1    | Front shield *                    |
| 13  | 063.131.00  | 1    | Head light protection glass       |
| 14  | 071.153.00  | 1    | Head light cover seal             |
| 15  | 063.078.- - | 1    | Belly pan*                        |
| 16  | 188.043.15  | 2    | Clip                              |
| 17  | 184.155.15  | 6    | Footboard bolt                    |
| 18  | 184.008.00  | 2    | Nut                               |
| 19  | 064.009.03  | 1    | Foot board panel                  |
| 20  | 063.079.- - | 1    | Rear fairing *                    |
| 21  | 071.151.07  | 1    | Battery cover                     |
| 22  | 184.071.15  | 3    | Handlebar cover screw             |
| 23  | 181.338.00  | 1    | Front shield blue label           |

\* Vedi tav. N° OO Colori

\* Refer to N° OO - Colour table

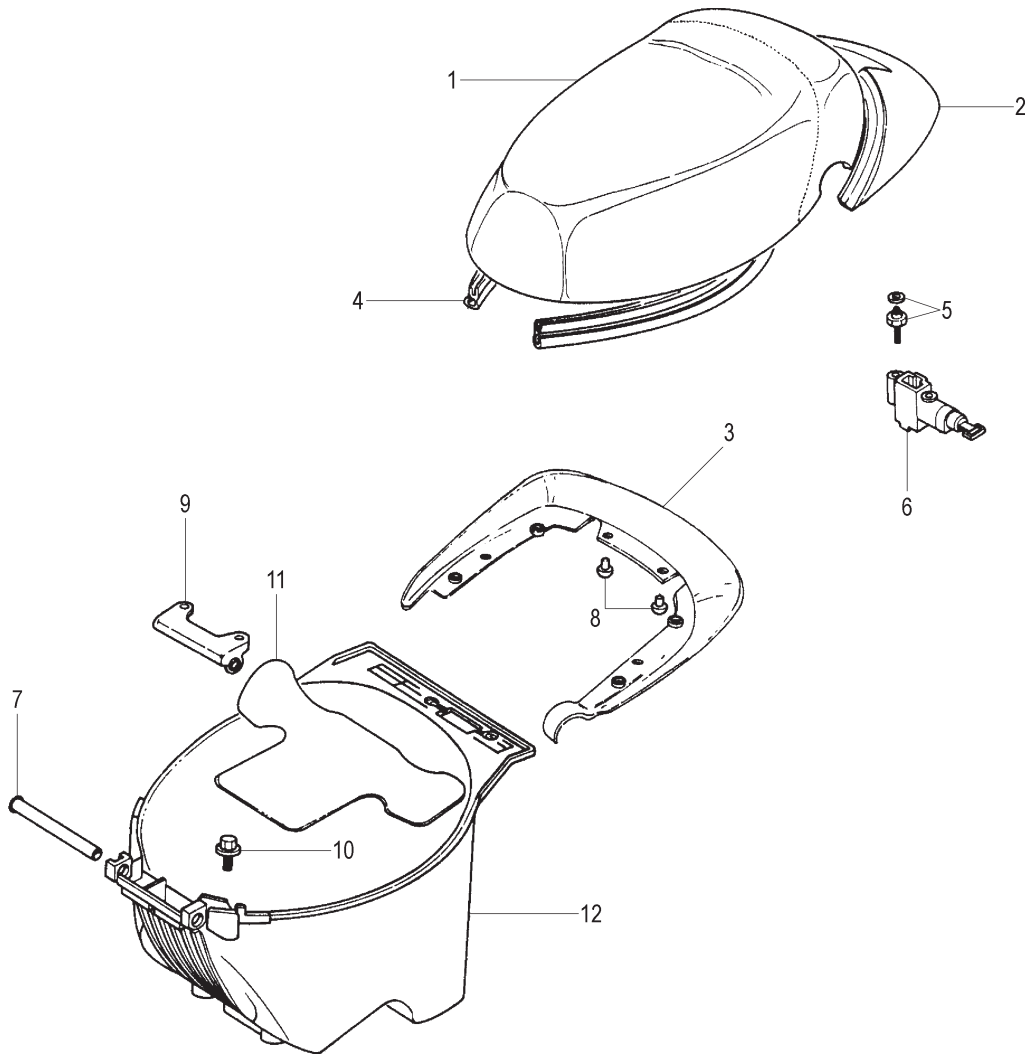


| Nr. | Codice      | Q.tà | Descrizione                |
|-----|-------------|------|----------------------------|
| 24  | 181.321.- - | 1    | Marca carena *             |
| --  | 090.026.00  | 1    | Kit serrature              |
| --  | 181.319.- - | 1    | Completo marche F 10 WAP * |

| No. | Code        | Q.ty | Description          |
|-----|-------------|------|----------------------|
| 24  | 181.321.- - | 1    | Rear fairing label * |
| --  | 090.026.00  | 1    | Lock set             |
| --  | 181.319.- - | 1    | F10 WAP decal set *  |

\* Vedi tav. N° OO Colori

\* Refer to N° OO - Colour table

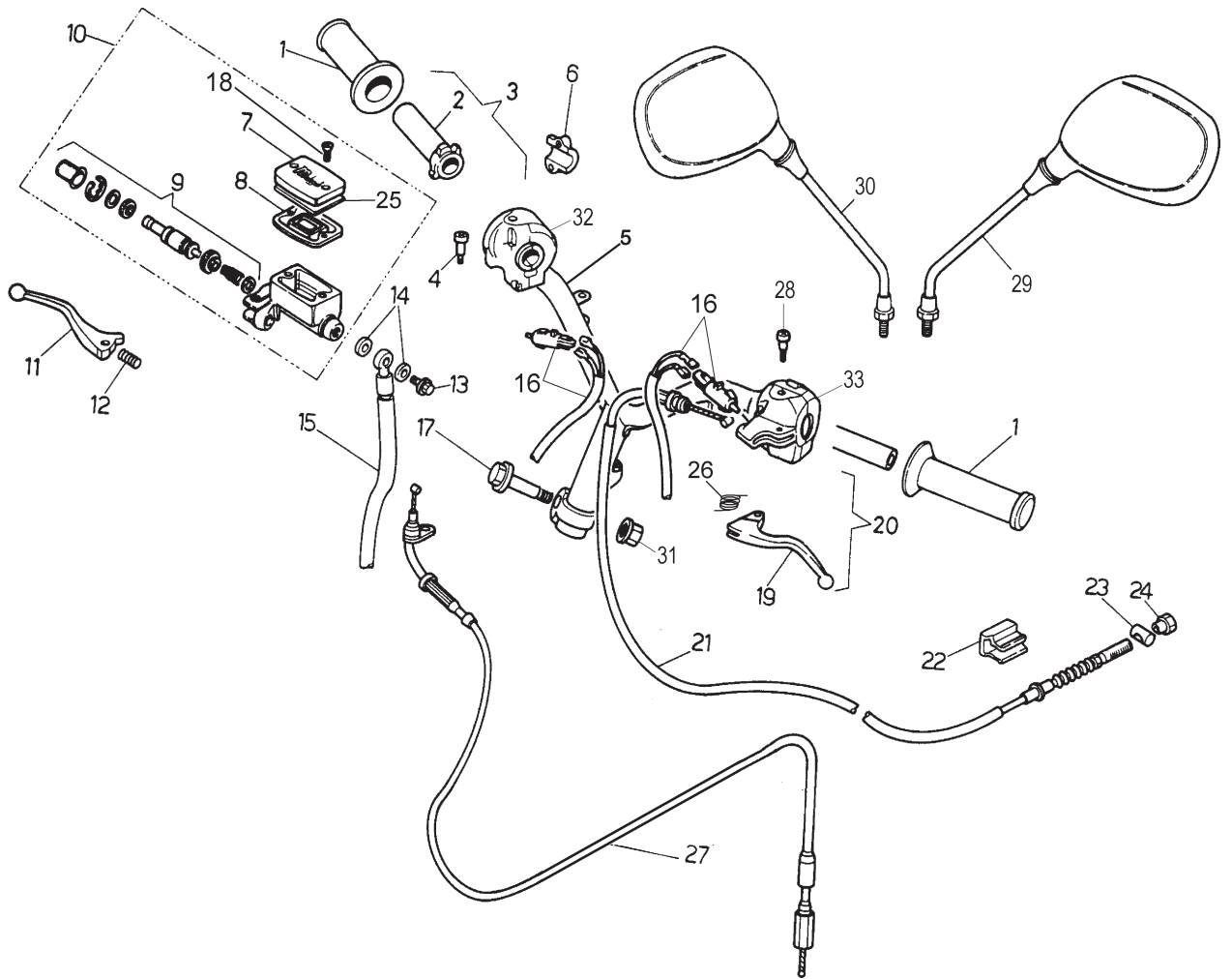


| Nr. | Codice      | Q.tà | Descrizione                     |
|-----|-------------|------|---------------------------------|
| 1   | 106.062.03  | 1    | Sellone                         |
| 2   | 063.083.- - | 1    | Codino sottosella *             |
| 3   | 063.080.- - | 1    | Spoiler *                       |
| 4   | 072.048.03  | 1    | Guarnizione sottosella          |
| 5   | 190.023.00  | 2    | Vite fissaggio serratura        |
| 6   | 090.023.00  | 1    | Serratura sella                 |
| 7   | 150.174.13  | 1    | Tube fulcro sella               |
| 8   | 071.152.03  | 2    | Paracolpi                       |
| 9   | 188.040.99  | 1    | Supporto sella                  |
| 10  | 190.022.00  | 2    | Vite fissaggio vano porta casco |
| 11  | 072.063.03  | 1    | Protezione vano porta casco     |
| 12  | 065.034.07  | 1    | Vano portacasco                 |

| No. | Code        | Q.ty | Description            |
|-----|-------------|------|------------------------|
| 1   | 106.062.03  | 1    | Seat                   |
| 2   | 063.083.- - | 1    | Seat tail *            |
| 3   | 063.080.- - | 1    | Seat back spoiler *    |
| 4   | 072.048.03  | 1    | Seat base seal         |
| 5   | 190.023.00  | 2    | Seat lock fixing screw |
| 6   | 090.023.00  | 1    | Seat lock              |
| 7   | 150.174.13  | 1    | Seat hinge pin         |
| 8   | 071.152.03  | 2    | Grommet                |
| 9   | 188.040.99  | 1    | Seat hinge bracket     |
| 10  | 190.022.00  | 2    | Fixing bolt            |
| 11  | 072.063.03  | 1    | Helmet case protection |
| 12  | 065.034.07  | 1    | Helmet case            |

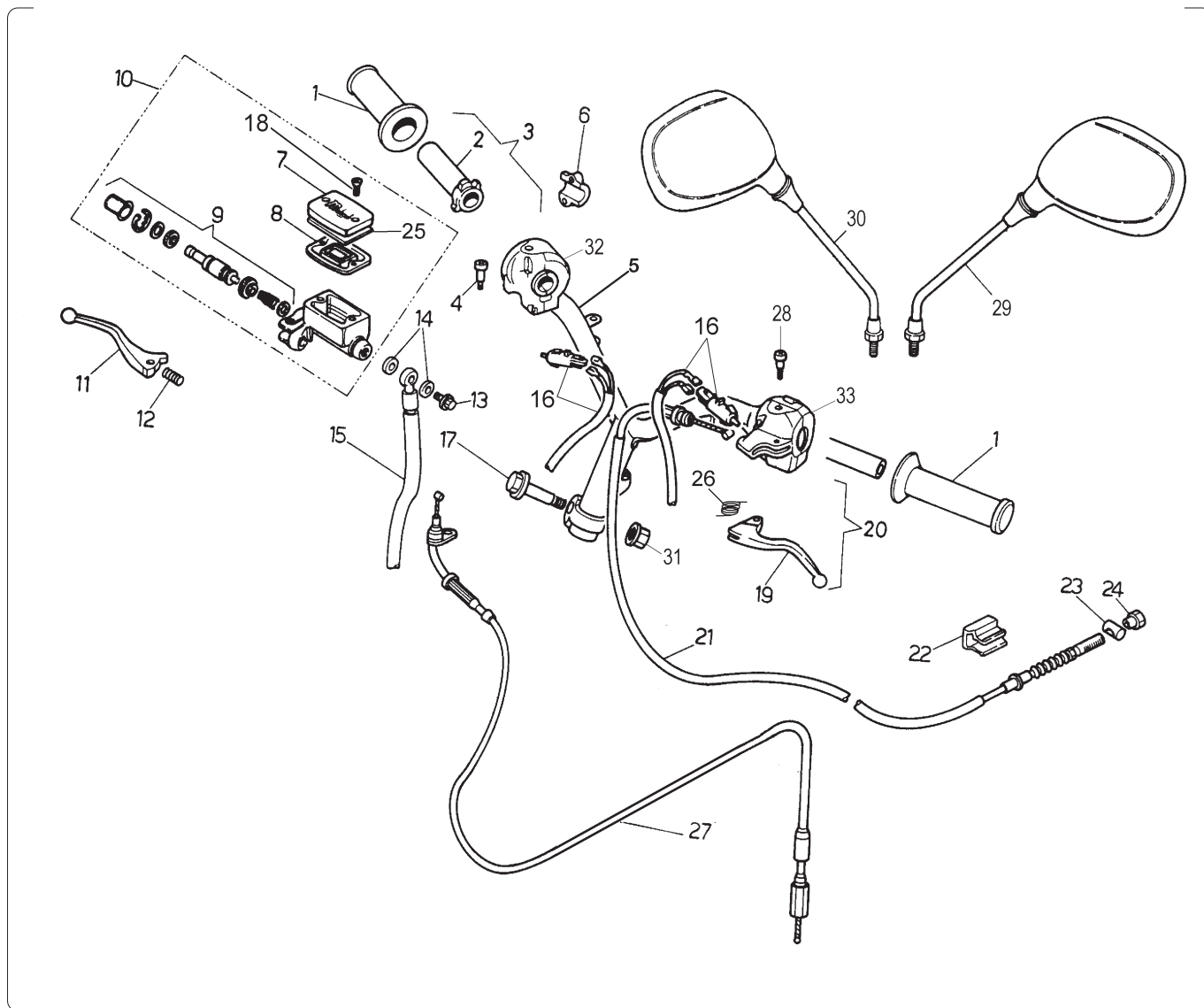
\* Vedi tav. N° OO Colori

\* Refer to N° OO - Colour table



| Nr. | Codice     | Q.tà | Descrizione                   |
|-----|------------|------|-------------------------------|
| 1   | 097.014.03 | 1    | Kit manopole (dx + sx)        |
| 2   | 121.134.00 | 1    | Tubo comando gas              |
| 3   | 028.018.00 | 1    | Comando gas completo          |
| 4   | 121.106.00 | 1    | Fulcro leva dx                |
| 5   | 162.027.13 | 1    | Manubrio                      |
| 6   | 121.139.00 | 1    | Attacco pompa                 |
| 7   | 121.127.00 | 1    | Coperchio pompa               |
| 8   | 121.099.00 | 1    | Guarnizione pompa             |
| 9   | 121.128.00 | 1    | Pistone completo              |
| 10  | 030.016.03 | 1    | Pompa freno completa          |
| 11  | 121.132.03 | 1    | Leva dx                       |
| 12  | 121.108.00 | 1    | Molla leva dx                 |
| 13  | 150.024.14 | 1    | Vite trasmissione idraulica   |
| 14  | 190.006.00 | 2    | Rasamento                     |
| 15  | 033.028.00 | 1    | Trasmissione idraulica        |
| 16  | 017.140.00 | 2    | Cablaggio interruttore stop   |
| 17  | 150.179.13 | 1    | Vite fissaggio manubrio       |
| 18  | 184.179.00 | 2    | Vite coperchio pompa          |
| 19  | 121.133.03 | 1    | Leva sx                       |
| 20  | 125.030.00 | 1    | Comando sx completo           |
| 21  | 048.023.03 | 1    | Trasmissione freno posteriore |
| 22  | 147.078.15 | 1    | Molla freno posteriore        |
| 23  | 119.354.13 | 1    | Barilotto                     |
| 24  | 150.175.13 | 1    | Vite regolazione freno        |

| No. | Code       | Q.ty | Description                   |
|-----|------------|------|-------------------------------|
| 1   | 097.014.03 | 1    | Handgrip set (r/h+l/h)        |
| 2   | 121.134.00 | 1    | Throttle twist grip tube      |
| 3   | 028.018.00 | 1    | Twist grip tube & bracket     |
| 4   | 121.106.00 | 1    | R/h lever bolt                |
| 5   | 162.027.13 | 1    | Handlebar                     |
| 6   | 121.139.00 | 1    | Front brake clamp             |
| 7   | 121.127.00 | 1    | Cover                         |
| 8   | 121.099.00 | 1    | Master cylinder seal          |
| 9   | 121.128.00 | 1    | Piston kit                    |
| 10  | 030.016.03 | 1    | Master cylinder assy          |
| 11  | 121.132.03 | 1    | R/h brake lever               |
| 12  | 121.108.00 | 1    | R/h brake lever spring        |
| 13  | 150.024.14 | 1    | Banjo bolt                    |
| 14  | 190.006.00 | 2    | Copper banjo washer           |
| 15  | 033.028.00 | 1    | Front brake hose              |
| 16  | 017.140.00 | 2    | Brake light switch and wire   |
| 17  | 150.179.13 | 1    | Clamp bolt                    |
| 18  | 184.179.00 | 2    | Master cylinder screw         |
| 19  | 121.133.03 | 1    | L/h brake lever               |
| 20  | 125.030.00 | 1    | Rear brake (l/h) control assy |
| 21  | 048.023.03 | 1    | Rear brake cable              |
| 22  | 147.078.15 | 1    | Rear brake spring             |
| 23  | 119.354.13 | 1    | Rear brake cable nipple       |
| 24  | 150.175.13 | 1    | Rear brake adjusting screw    |



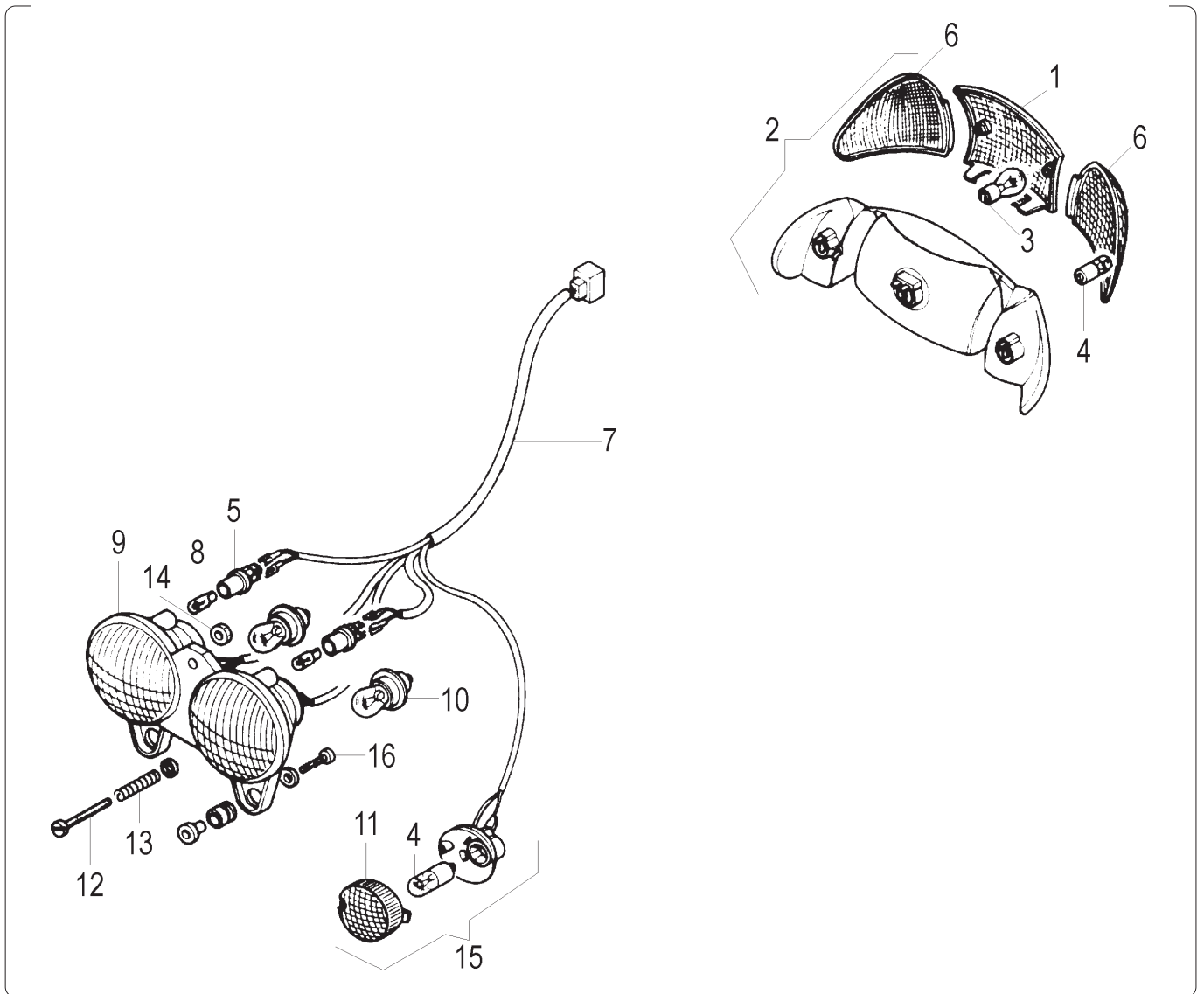
| Nr. | Codice      | Q.tà | Descrizione                             |
|-----|-------------|------|---|
| 25  | 121.141.00  | 1    | Guarnizione coperchio                   |
| 26  | 121.017.00  | 1    | Molla leva sx                           |
| 27  | 034.080.03  | 1    | Trasmissione gas                        |
| 28  | 121.136.00  | 1    | Vite fulcro leva sx                     |
| 29  | 088.034. -- | 1    | Specchio sx *                           |
| 30  | 088.035. -- | 1    | Specchio dx * (di serie mercato estero) |
| 31  | 184.056.13  | 1    | Dado fissaggio manubrio                 |
| 32  | 020.038.00  | 1    | Commutatore dx                          |
| 33  | 020.039.00  | 1    | Commutatore sx                          |

| No. | Code        | Q.ty | Description                      |
|-----|-------------|------|----------------------------------|
| 25  | 121.141.00  | 1    | Master cylinder cover seal       |
| 26  | 121.017.00  | 1    | L/h lever spring                 |
| 27  | 034.080.03  | 1    | Throttle cable                   |
| 28  | 121.136.00  | 1    | L/h lever screw                  |
| 29  | 088.034. -- | 1    | L/h mirror *                     |
| 30  | 088.035. -- | 1    | R/h mirror * (originally fitted) |
| 31  | 184.056.13  | 1    | Handlebar fixing clamp nut       |
| 32  | 020.038.00  | 1    | R/h switch                       |
| 33  | 020.039.00  | 1    | L/h switch                       |

\* Vedi tav. N° OO Colori

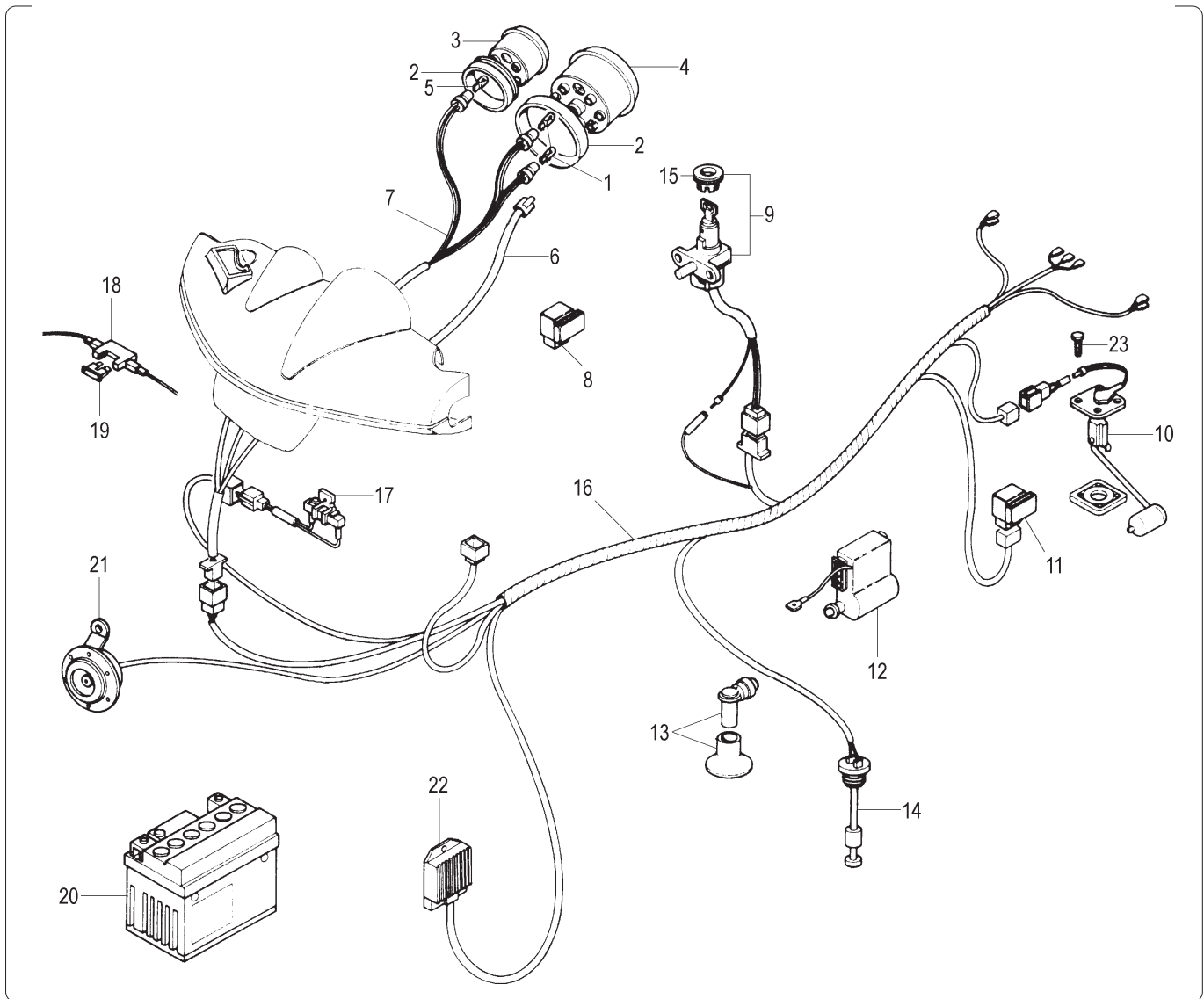
\* Refer to N° OO - Colour table





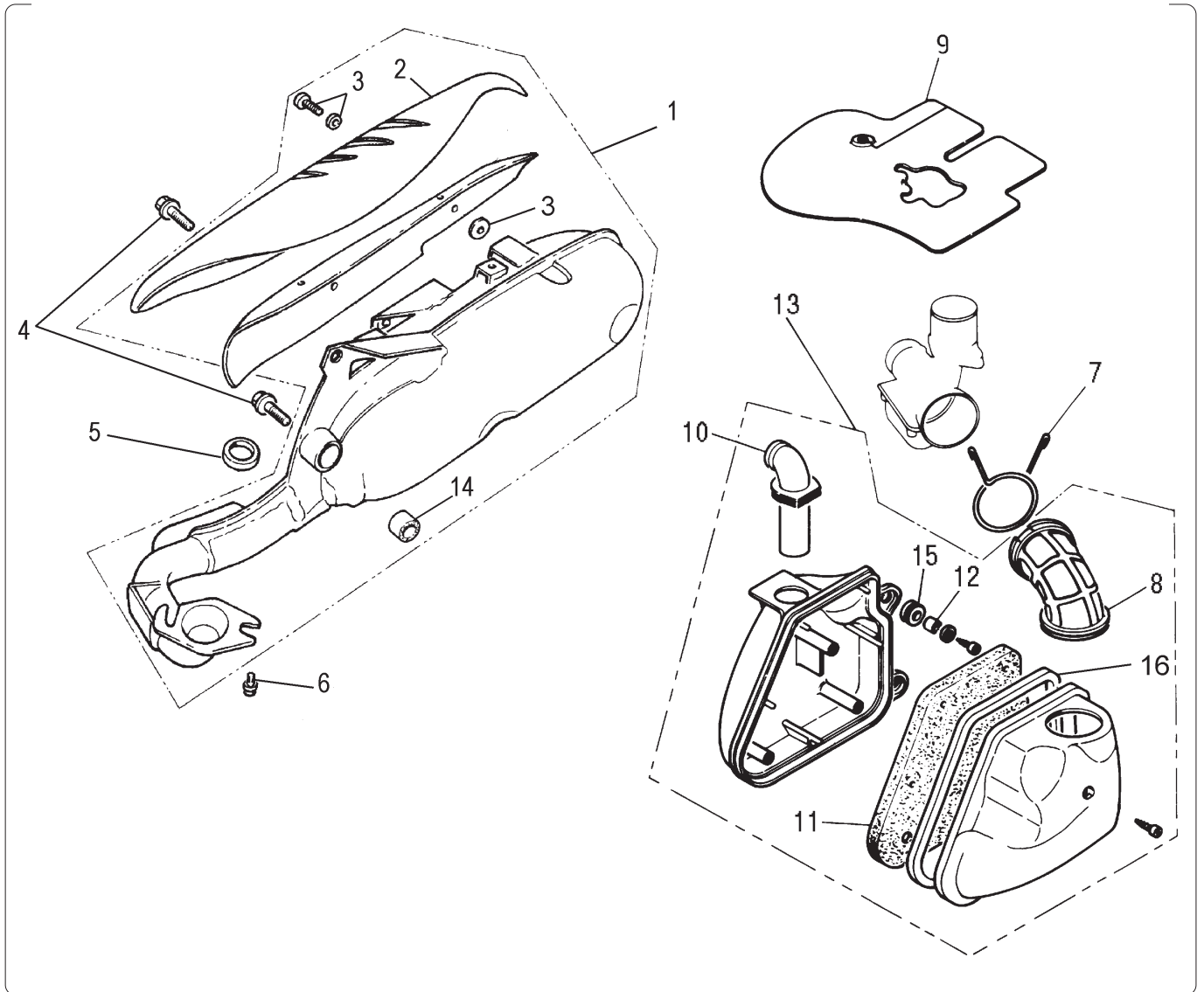
| Nr. | Codice     | Q.tà | Descrizione                           |
|-----|------------|------|---------------------------------------|
| 1   | 016.039.00 | 1    | Vetro fanale posteriore               |
| 2   | 016.037.00 | 1    | Fanale posteriore                     |
| 3   | 022.048.00 | 1    | Lampada 12 V - 5 / 21W                |
| 4   | 022.017.00 | 4    | Lampada 12 V - 10 W                   |
| 5   | 023.004.00 | 2    | Portalampada                          |
| 6   | 019.028.00 | 2    | Vetro indicatori direzione posteriori |
| 7   | 017.154.00 | 1    | Cablaggio faro anteriore              |
| 8   | 022.047.00 | 2    | Lampadina 12 V - 3 W                  |
| 9   | 015.033.00 | 1    | Faro anteriore                        |
| 10  | 022.042.00 | 2    | Lampada 12 V - 15 W                   |
| 11  | 019.038.00 | 2    | Vetro indicatori direzione anteriori  |
| 12  | 190.004.00 | 1    | Vite regolazione faro                 |
| 13  | 147.072.14 | 1    | Molla regolazione faro                |
| 14  | 191.017.13 | 1    | Piastrina regolazione faro            |
| 15  | 019.027.00 | 2    | Indicatore di direzione               |
| 16  | 184.109.13 | 2    | Vite fissaggio faro                   |

| No. | Code       | Q.ty | Description                |
|-----|------------|------|----------------------------|
| 1   | 016.039.00 | 1    | Rear light assembly lens   |
| 2   | 016.037.00 | 1    | Rear light assembly        |
| 3   | 022.048.00 | 1    | 12 V - 5 / 21W bulb        |
| 4   | 022.017.00 | 4    | 12 V - 10 W bulb           |
| 5   | 023.004.00 | 2    | Bulb holder                |
| 6   | 019.028.00 | 2    | Rear indicators lens       |
| 7   | 017.154.00 | 1    | Front light wiring harness |
| 8   | 022.047.00 | 2    | 12 V - 3 W bulb            |
| 9   | 015.033.00 | 1    | Headlight unit             |
| 10  | 022.042.00 | 2    | 12 V - 15 W bulb           |
| 11  | 019.038.00 | 2    | Front indicators lens      |
| 12  | 190.004.00 | 1    | Headlamp adjusting screw   |
| 13  | 147.072.14 | 1    | Headlamp adjusting spring  |
| 14  | 191.017.13 | 1    | Headlamp adjusting plate   |
| 15  | 019.027.00 | 2    | Front indicators           |
| 16  | 184.109.13 | 2    | Headlamp fixing screw      |



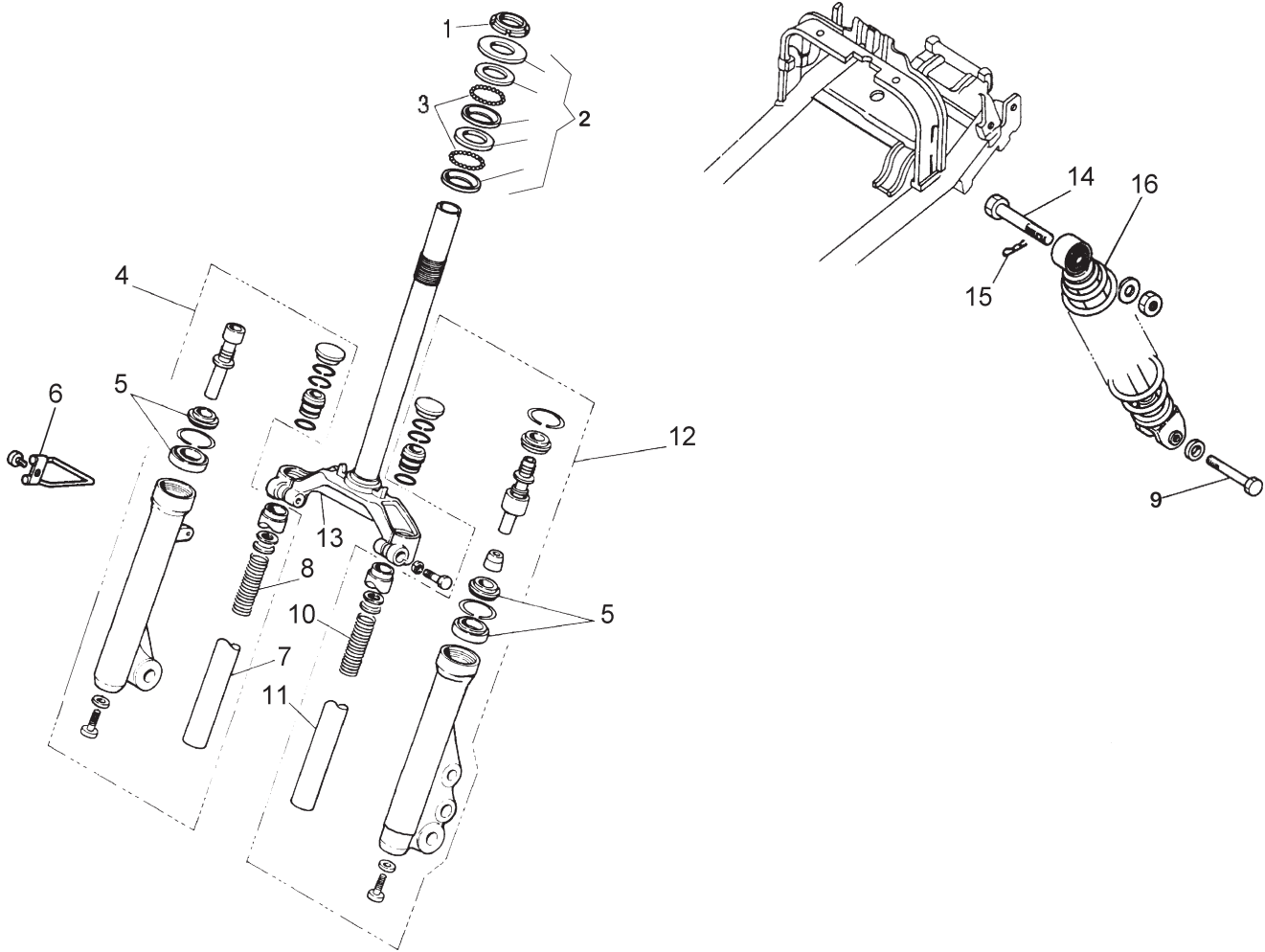
| Nr. | Codice     | Q.tà | Descrizione                     |
|-----|------------|------|---------------------------------|
| 1   | 022.073.00 | 2    | Lampadina 12 V - 2 W            |
| 2   | 072.059.00 | 1    | Guarnizioni strumenti in coppia |
| 3   | 178.163.00 | 1    | Orologio benzina                |
| 4   | 178.162.00 | 1    | Orologio kontakm                |
| 5   | 022.036.00 | 4    | Lampadina 12 V - 1,2 W          |
| 6   | 178.116.00 | 1    | Trasmissione kontakm            |
| 7   | 017.227.00 | 1    | Cablaggio cruscotto             |
| 8   | 025.023.00 | 1    | Intermittenza lampeggiatori     |
| 9   | 090.025.00 | 1    | Serratura avviamento            |
| 10  | 093.036.00 | 1    | Sonda livello benzina           |
| 11  | 025.015.00 | 1    | Relais avviamento               |
| 12  | 024.033.00 | 1    | Centralina elettronica          |
| 13  | 073.006.00 | 1    | Pipetta candela con cappuccio   |
| 14  | 093.037.00 | 1    | Sonda livello olio              |
| 15  | 071.163.00 | 1    | Ghiera serratura avviamento     |
| 16  | 017.159.00 | 1    | Cablaggio centrale              |
| 17  | 025.014.00 | 1    | Resistenza                      |
| 18  | 025.016.00 | 1    | Portafusibile                   |
| 19  | 025.010.00 | 1    | Fusibile 10 A                   |
| 20  | 074.018.00 | 1    | Batteria 12 V - 4 Ah            |
| 21  | 018.054.00 | 1    | Avvisatore acustico             |
| 22  | 026.011.00 | 1    | Regolatore di tensione          |
| 23  | 184.009.00 | 4    | Vite fissaggio sonda benzina    |

| No. | Code       | Q.ty | Description            |
|-----|------------|------|------------------------|
| 1   | 022.073.00 | 2    | 12 V - 2 W bulb        |
| 2   | 072.059.00 | 1    | Fuel gauge rubber seal |
| 3   | 178.163.00 | 1    | Fuel gauge             |
| 4   | 178.162.00 | 1    | Speedometer            |
| 5   | 022.036.00 | 4    | 12 V - 1,2 W bulb      |
| 6   | 178.116.00 | 1    | Speedo cable           |
| 7   | 017.227.00 | 1    | Dashboard wiring       |
| 8   | 025.023.00 | 1    | Flasher unit           |
| 9   | 090.025.00 | 1    | Ignition barrel        |
| 10  | 093.036.00 | 1    | Fuel level gauge       |
| 11  | 025.015.00 | 1    | Starter relay          |
| 12  | 024.033.00 | 1    | CDI                    |
| 13  | 073.006.00 | 1    | Spark plug cap         |
| 14  | 093.037.00 | 1    | Oil level gauge        |
| 15  | 071.163.00 | 1    | Ignition lock rim      |
| 16  | 017.159.00 | 1    | Main wiring harness    |
| 17  | 025.014.00 | 1    | Resistor               |
| 18  | 025.016.00 | 1    | Fuse holder            |
| 19  | 025.010.00 | 1    | 10 A fuse              |
| 20  | 074.018.00 | 1    | 12 V - 4 Ah battery    |
| 21  | 018.054.00 | 1    | Horn                   |
| 22  | 026.011.00 | 1    | Regulator              |
| 23  | 184.009.00 | 4    | Fixing screw           |



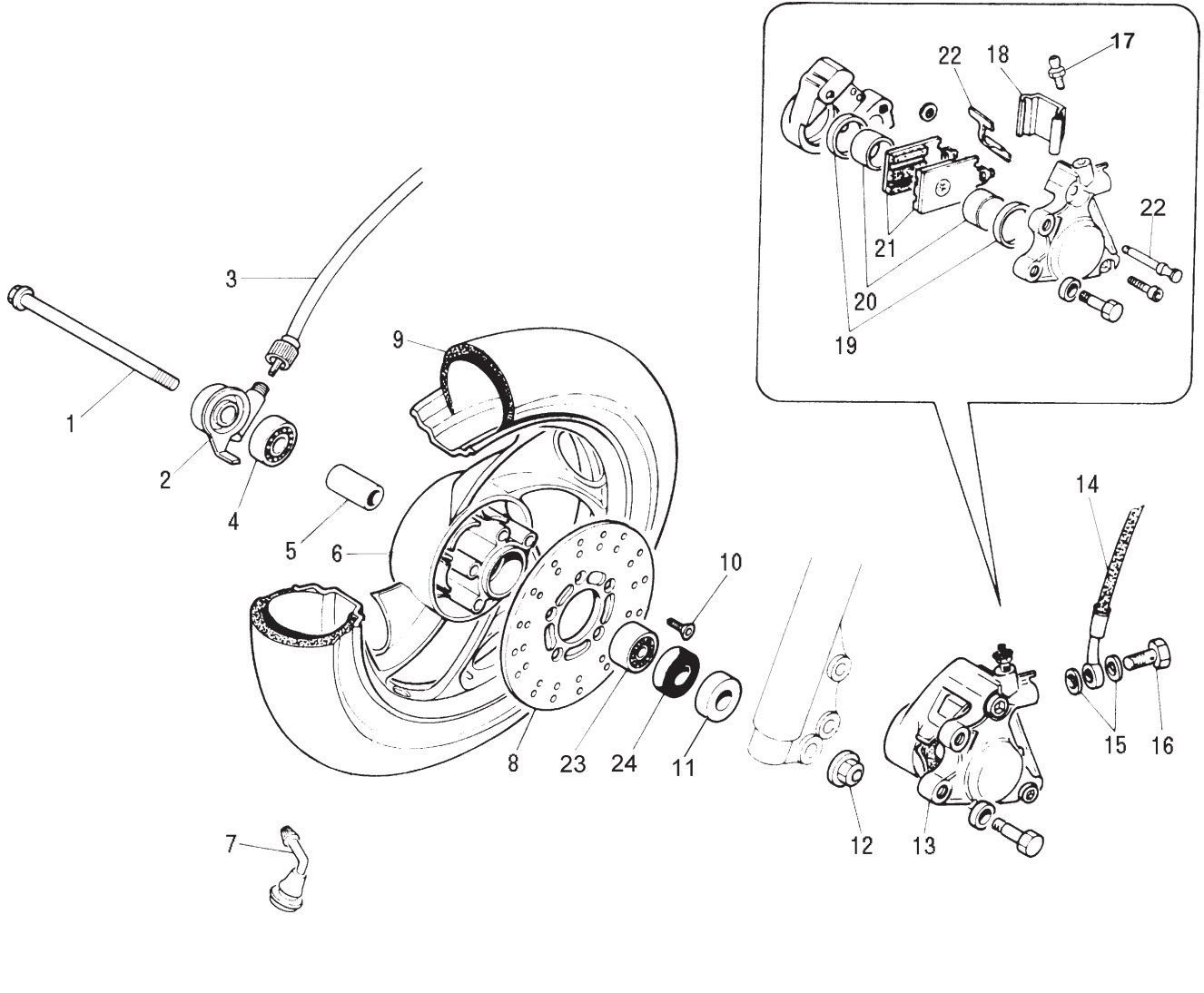
| Nr. | Codice     | Q.tà | Descrizione                   |
|-----|------------|------|-------------------------------|
| 1   | 165.151.99 | 1    | Marmitta catalitica completa  |
| 2   | 071.344.00 | 1    | Protezione marmitta           |
| 3   | 150.211.00 | 3    | Viti fissaggio griglia        |
| 4   | 184.038.13 | 2    | Viti fissaggio marmitta       |
| 5   | 072.053.00 | 1    | Guarnizione scarico           |
| 6   | 184.006.00 | 2    | Vite fissaggio marmitta       |
| 7   | 147.082.13 | 1    | Molla manicotto aspirazione   |
| 8   | 076.013.00 | 1    | Manicotto aspirazione grande  |
| 9   | 057.033.00 | 1    | Bancalina carburatore         |
| 10  | 076.012.00 | 1    | Manicotto aspirazione piccolo |
| 11  | 066.045.00 | 1    | Filtro                        |
| 12  | 150.043.00 | 2    | Distanziale                   |
| 13  | 066.058.03 | 1    | Cassetta aspirazione completa |
| 14  | 075.024.00 | 1    | Silentblock marmitta          |
| 15  | 080.002.07 | 2    | Gommino                       |
| 16  | 072.056.00 | 1    | Guarnizione                   |

| No. | Code       | Q.ty | Description              |
|-----|------------|------|--------------------------|
| 1   | 165.151.99 | 1    | Kat-exhaust complete     |
| 2   | 071.344.00 | 1    | Heat shield              |
| 3   | 150.211.00 | 3    | Fixing screw             |
| 4   | 184.038.13 | 2    | Exhaust fixing screw     |
| 5   | 072.053.00 | 1    | Exhaust gasket           |
| 6   | 184.006.00 | 2    | Exhaust fixing screw     |
| 7   | 147.082.13 | 1    | Air box hose spring clip |
| 8   | 076.013.00 | 1    | Air box/carb. sleeve     |
| 9   | 057.033.00 | 1    | Carburettor cover        |
| 10  | 076.012.00 | 1    | Air box intake sleeve    |
| 11  | 066.045.00 | 1    | Air filter               |
| 12  | 150.043.00 | 2    | Spacer                   |
| 13  | 066.058.03 | 1    | Air box complete         |
| 14  | 075.024.00 | 1    | Exhaust silent block     |
| 15  | 080.002.07 | 2    | Grommet                  |
| 16  | 072.056.00 | 1    | Air box seal             |



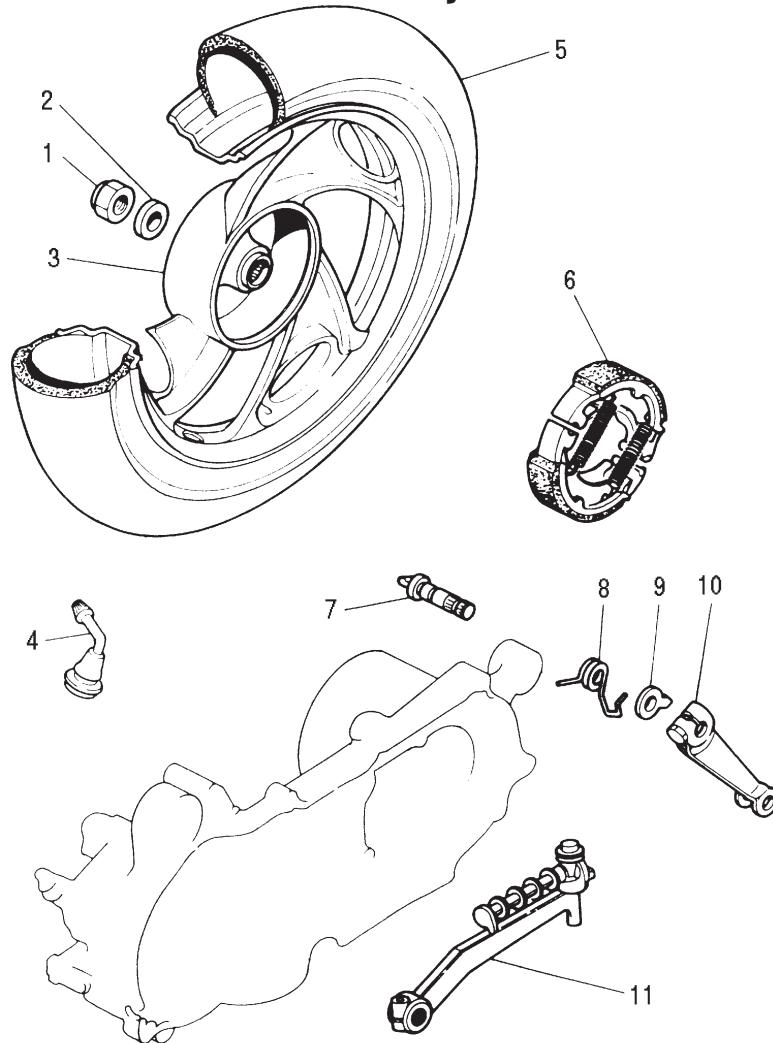
| Nr. | Codice     | Q.tà | Descrizione                   |
|-----|------------|------|-------------------------------|
| 1   | 185.009.13 | 1    | Ghiera                        |
| 2   | 104.014.00 | 1    | Serie sterzo                  |
| 3   | 120.261.00 | 44   | Sfere                         |
| 4   | 120.294.00 | 1    | Portaruota completo dx        |
| 5   | 120.324.00 | 1    | Paraolio + parapolvere        |
| 6   | 147.075.13 | 1    | Molla passafilo               |
| 7   | 120.286.00 | 1    | Canna dx                      |
| 8   | 120.287.00 | 1    | Molla portaruota dx           |
| 9   | 184.038.13 | 1    | Vite fissaggio ammortizzatore |
| 10  | 120.290.00 | 1    | Molla portaruota sx           |
| 11  | 120.282.00 | 1    | Canna sx                      |
| 12  | 120.292.00 | 1    | Portaruota completo sx        |
| 13  | 120.293.99 | 1    | Testa croce                   |
| 14  | 184.033.13 | 1    | Vite fissaggio ammortizzatore |
| 15  | 184.011.00 | 1    | Copiglia                      |
| 16  | 010.046.03 | 1    | Ammortizzatore                |
| --  | 013.028.00 | 1    | Forcella completa             |

| No. | Code       | Q.ty | Description           |
|-----|------------|------|-----------------------|
| 1   | 185.009.13 | 1    | Steering head nut     |
| 2   | 104.014.00 | 1    | Steering head cap set |
| 3   | 120.261.00 | 44   | Steering ball cages   |
| 4   | 120.294.00 | 1    | R/h fork leg assy     |
| 5   | 120.324.00 | 1    | Fork bush/seal kit    |
| 6   | 147.075.13 | 1    | Clip                  |
| 7   | 120.286.00 | 1    | R/h fork tube         |
| 8   | 120.287.00 | 1    | R/h fork leg spring   |
| 9   | 184.038.13 | 1    | Fixing screw          |
| 10  | 120.290.00 | 1    | L/h fork leg spring   |
| 11  | 120.282.00 | 1    | L/h fork tube         |
| 12  | 120.292.00 | 1    | L/h fork leg assy     |
| 13  | 120.293.99 | 1    | Bottom yoke           |
| 14  | 184.033.13 | 1    | Fixing screw          |
| 15  | 184.011.00 | 1    | Clip                  |
| 16  | 010.046.03 | 1    | Rear shock absorber   |
| --  | 013.028.00 | 1    | Front fork assy       |

**Ruota anteriore e impianto frenante**
**Front wheel & brake system**


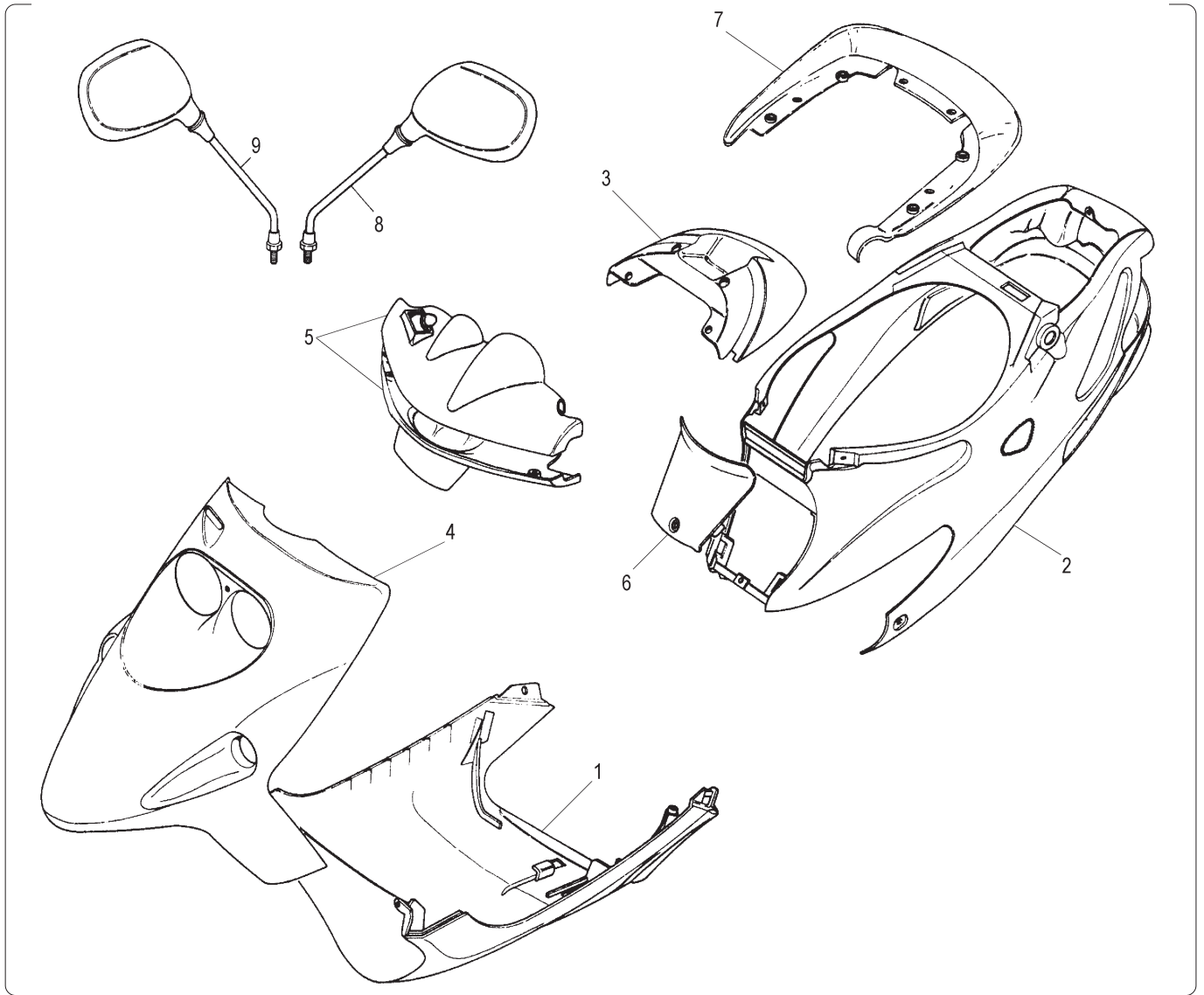
| Nr. | Codice     | Q.tà | Descrizione                     |
|-----|------------|------|---------------------------------|
| 1   | 190.024.00 | 1    | Perno ruota                     |
| 2   | 178.078.00 | 1    | Rinvio contakm                  |
| 3   | 178.116.00 | 1    | Trasmissione contakm            |
| 4   | 119.438.00 | 1    | Cuscinetto                      |
| 5   | 119.437.00 | 1    | Distanziale interno             |
| 6   | 109.047.03 | 1    | Ruota anteriore tubeless        |
| 7   | 094.008.00 | 1    | Valvola tubeless                |
| 8   | 119.398.00 | 1    | Disco freno                     |
| 9   | 050.029.00 | 1    | Copertura tubeless 100/80 - 10" |
| 10  | 184.104.13 | 5    | Vite fissaggio disco freno      |
| 11  | 119.417.00 | 1    | Distanziale                     |
| 12  | 185.012.00 | 1    | Dado perno ruota                |
| 13  | 031.019.08 | 1    | Pinza freno idraulica           |
| 14  | 033.028.00 | 1    | Trasmissione idraulica          |
| 15  | 190.006.00 | 2    | Rasamento                       |
| 16  | 150.024.14 | 1    | Vite trasmissione idraulica     |
| 17  | 119.436.00 | 1    | Vite spurgo                     |
| 18  | 119.434.00 | 1    | Cuffia                          |
| 19  | 119.440.00 | 1    | Kit gommini                     |
| 20  | 119.435.00 | 1    | Pistoncini                      |
| 21  | 119.502.00 | 1    | Coppia pastiglie freno          |
| 22  | 119.457.00 | 1    | Kit perno + molla               |
| 23  | 119.438.00 | 1    | Cuscinetto                      |
| 24  | 119.399.00 | 1    | Anello di tenuta                |

| No. | Code       | Q.ty | Description                  |
|-----|------------|------|------------------------------|
| 1   | 190.024.00 | 1    | Front wheel spindle          |
| 2   | 178.078.00 | 1    | Speedo drive                 |
| 3   | 178.116.00 | 1    | Speedo cable                 |
| 4   | 119.438.00 | 1    | Bearing                      |
| 5   | 119.437.00 | 1    | Spacer                       |
| 6   | 109.047.03 | 1    | Tubeless front wheel         |
| 7   | 094.008.00 | 1    | Wheel valve                  |
| 8   | 119.398.00 | 1    | Front brake disc             |
| 9   | 050.029.00 | 1    | 100/80 - 10" tubeless tyre   |
| 10  | 184.104.13 | 5    | Brake disc mounting screw    |
| 11  | 119.417.00 | 1    | Spacer                       |
| 12  | 185.012.00 | 1    | Nut                          |
| 13  | 031.019.08 | 1    | Front brake caliper          |
| 14  | 033.028.00 | 1    | Front brake hose             |
| 15  | 190.006.00 | 2    | Copper banjo washer          |
| 16  | 150.024.14 | 1    | Banjo bolt                   |
| 17  | 119.436.00 | 1    | Screw                        |
| 18  | 119.434.00 | 1    | Brake pad cover              |
| 19  | 119.440.00 | 1    | Front brake caliper seal kit |
| 20  | 119.435.00 | 1    | Front brake pistons          |
| 21  | 119.502.00 | 1    | Brake pads                   |
| 22  | 119.457.00 | 1    | Support pads set             |
| 23  | 119.438.00 | 1    | Bearings                     |
| 24  | 119.399.00 | 1    | Seal ring                    |

**Ruota posteriore e impianto frenante**
**Rear wheel & brake system**


| Nr. | Codice     | Q.tà | Descrizione                     |
|-----|------------|------|---------------------------------|
| 1   | 185.010.00 | 1    | Dado ruota posteriore           |
| 2   | 119.224.00 | 1    | Rondella                        |
| 3   | 110.047.03 | 1    | Ruota posteriore tubeless       |
| 4   | 094.008.00 | 1    | Valvola tubeless                |
| 5   | 050.029.00 | 1    | Copertura 100/80 - 10" tubeless |
| 6   | 119.403.00 | 1    | Ceppi freno posteriori          |
| 7   | 119.351.00 | 1    | Ogiva                           |
| 8   | 119.353.13 | 1    | Molla leva freno                |
| 9   | 191.016.13 | 1    | Piastrina ferodi                |
| 10  | 119.352.00 | 1    | Leva freno                      |
| 11  | 081.009.03 | 1    | Leva messa in moto              |

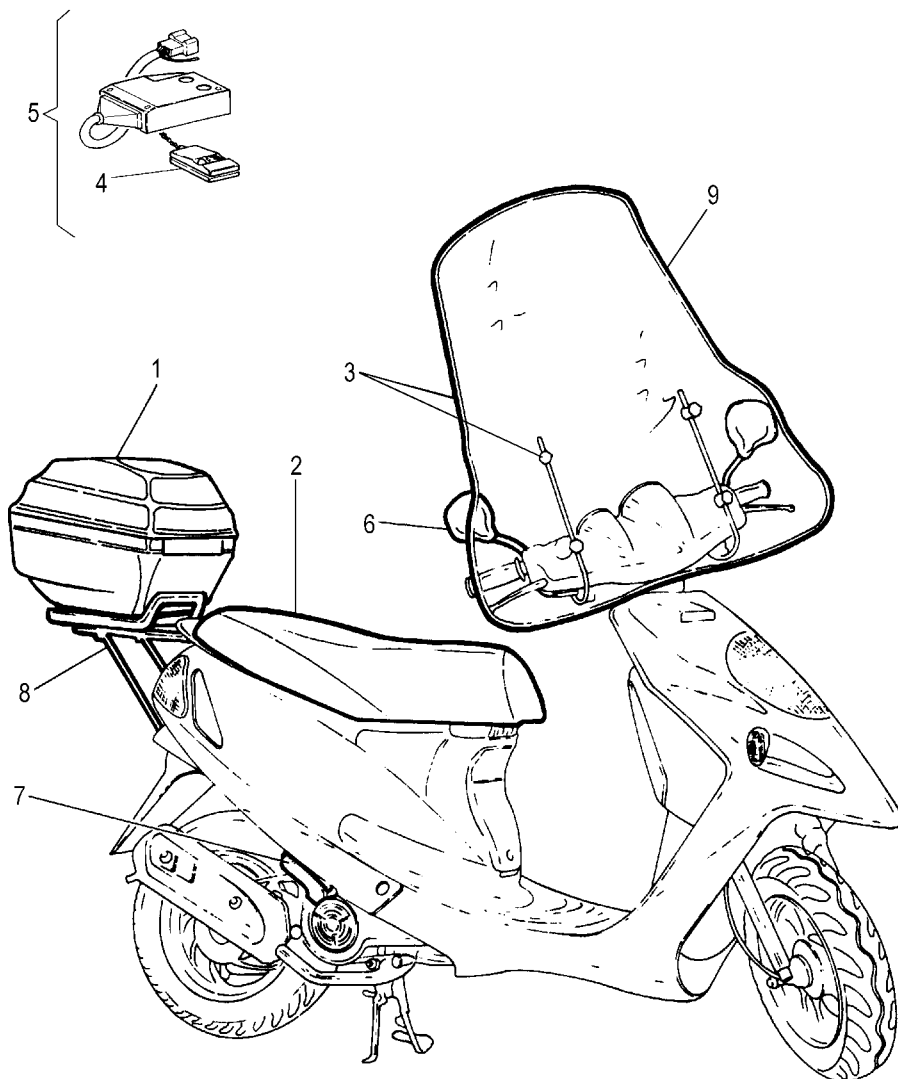
| No. | Code       | Q.ty | Description                  |
|-----|------------|------|------------------------------|
| 1   | 185.010.00 | 1    | Rear wheel nut               |
| 2   | 119.224.00 | 1    | Washer                       |
| 3   | 110.047.03 | 1    | Tubeless rear wheel          |
| 4   | 094.008.00 | 1    | Wheel valve                  |
| 5   | 050.029.00 | 1    | 100/80 - 10" tubeless tyre   |
| 6   | 119.403.00 | 1    | Rear brake shoes             |
| 7   | 119.351.00 | 1    | Cam                          |
| 8   | 119.353.13 | 1    | Return spring                |
| 9   | 191.016.13 | 1    | Rear brake adjustment washer |
| 10  | 119.352.00 | 1    | Brake lever                  |
| 11  | 081.009.03 | 1    | Kick-starter lever           |



### TABELLA COLORI - COLOUR CODES

#### Colori - Colours

| N°<br>No. | Codice<br>Code | 34                    | 44                             | 72              | 77                              | 91                  | 73                          | 94                     | 97                  | 53                     | 67                 |
|-----------|----------------|-----------------------|--------------------------------|-----------------|---------------------------------|---------------------|-----------------------------|------------------------|---------------------|------------------------|--------------------|
|           |                | Blu Opaco<br>Mat blue | Blu Elettrico<br>Electric blue | Bianco<br>White | Argento Lucido<br>Bright silver | Magenta<br>Mag. red | Nero Velvet<br>Velvet black | Blu Notte<br>Dark Blue | Titanio<br>Titanium | Fast Time<br>Fast Time | Arg. Eco<br>Silver |
| 1         | 063.078.       | 34                    | 44                             | 72              | 77                              | 91                  | 73                          | 94                     | 97                  | 03                     | 67                 |
| 2         | 063.079.       | 34                    | 44                             | 72              | 77                              | 91                  | 73                          | 94                     | 97                  | 53                     | 67                 |
| 3         | 063.083.       | 34                    | 44                             | 72              | 77                              | 91                  | 73                          | 94                     | 97                  | 03                     | 67                 |
| 4         | 066.042.       | 34                    | 44                             | 72              | 77                              | 91                  | 73                          | 94                     | 97                  | 53                     | 67                 |
| 5         | 071.284.       | 34                    | 44                             | 72              | 77                              | 91                  | 73                          | 94                     | 97                  | 03                     | 67                 |
| 6         | 071.147.       | 34                    | 44                             | 72              | 77                              | 91                  | 73                          | 94                     | 97                  | 03                     | 67                 |
| 7         | 063.080.       | 34                    | 44                             | 72              | 77                              | 91                  | 73                          | 94                     | 97                  | 03                     | 67                 |
| 8         | 088.034.       | 34                    | 44                             | 72              | 87                              | 91                  | 93                          | 94                     | 98                  | 93                     | 87                 |
| 9         | 088.035.       | 34                    | 44                             | 72              | 87                              | 91                  | 93                          | 94                     | 98                  | 93                     | 87                 |
| --        | 181.319.       | 03                    | 00                             | 00              | 00                              | 00                  | 03                          | 00                     | 00                  | 53                     | 00                 |
| --        | 181.321.       | 03                    | 00                             | 00              | 00                              | 00                  | 03                          | 00                     | 00                  | 53                     | 00                 |



| Nr. | Codice      | Q.tà | Descrizione                             |
|-----|-------------|------|---|
| 1   | 065.072.03  | 1    | Bauletto porta oggetti                  |
| 2   | 106.064.03  | 1    | Sella biposto                           |
| 3   | 063.084.00  | 1    | Parabrezza                              |
| 4   | 018.079.00  | 1    | Radiocomando                            |
| 5   | 018.078.00  | 1    | Antifurto + cablaggio                   |
| 6   | 088.035. -- | 1    | Specchio dx * (di serie mercato estero) |
| 7   | 084.028.00  | 1    | Staffe pedane secondo passeggero        |
| 8   | 173.046.00  | 1    | Portapacchi completo                    |
| 9   | 063.143.00  | 1    | Lastra parabrezza                       |
| --  | 065.027.00  | 1    | Coprimoto scooter standard              |
| --  | 065.077.00  | 1    | Coprimoto scooter con accessori         |

| Nr. | Code        | Q.ty | Description                      |
|-----|-------------|------|----------------------------------|
| 1   | 065.072.03  | 1    | Top case                         |
| 2   | 106.064.03  | 1    | Long seat                        |
| 3   | 063.084.00  | 1    | Windscreen                       |
| 4   | 018.079.00  | 1    | Remote control                   |
| 5   | 018.078.00  | 1    | Alarm complete                   |
| 6   | 088.035. -- | 1    | R/h mirror * (originally fitted) |
| 7   | 084.028.00  | 1    | Footrests                        |
| 8   | 173.046.00  | 1    | Rear carrier                     |
| 9   | 063.143.00  | 1    | Windscreen glass                 |
| --  | 065.027.00  | 1    | Scooter canvas cover             |
| --  | 065.077.00  | 1    | Accessoried scooter canvas cover |

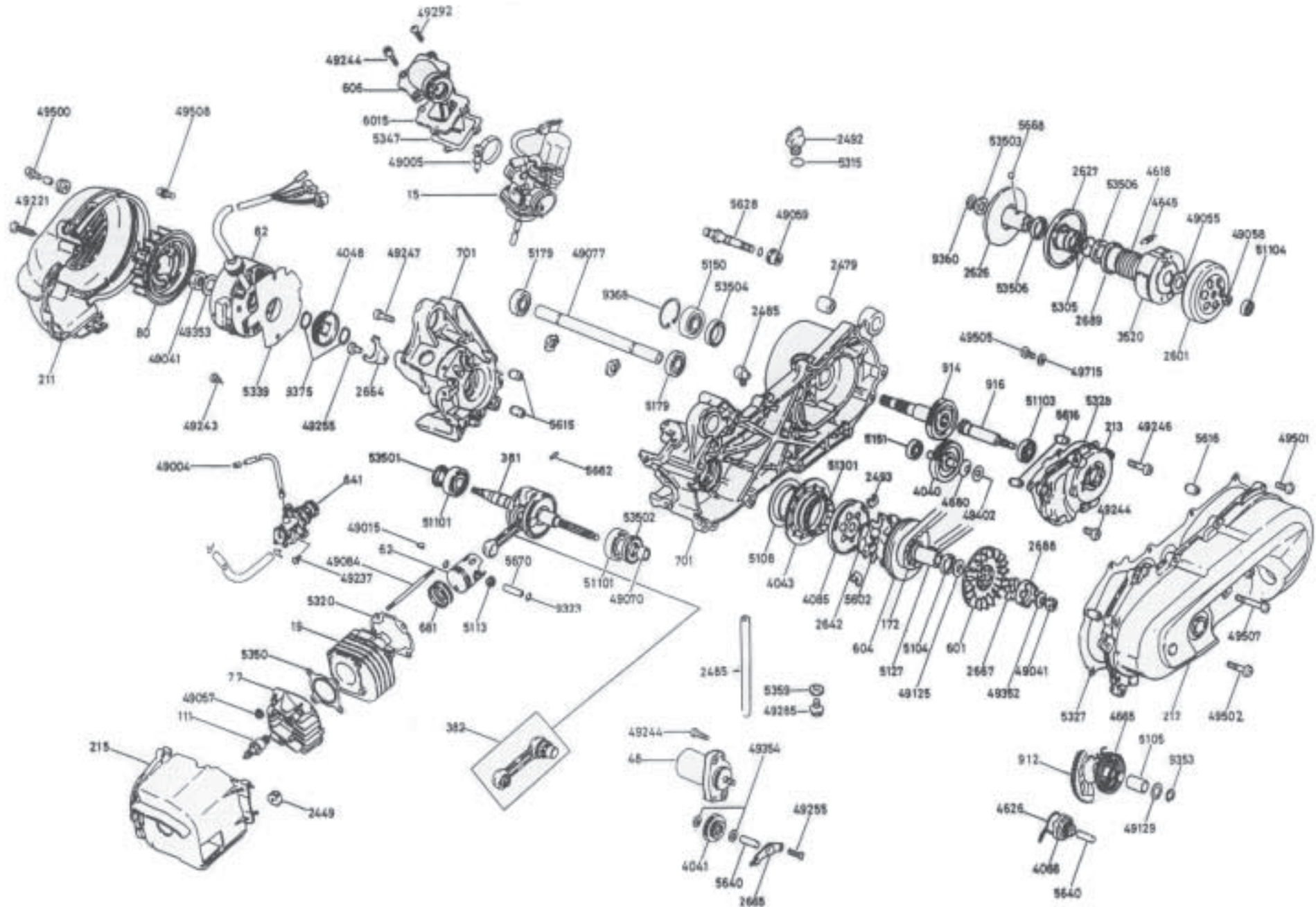
\* Vedi tav. N° OO Colori

\* Refer to N° OO - Colour table



# Scooter F 10 WAP Restyling KAT EURO 1

## Motore CY 50 - CY 50 engine

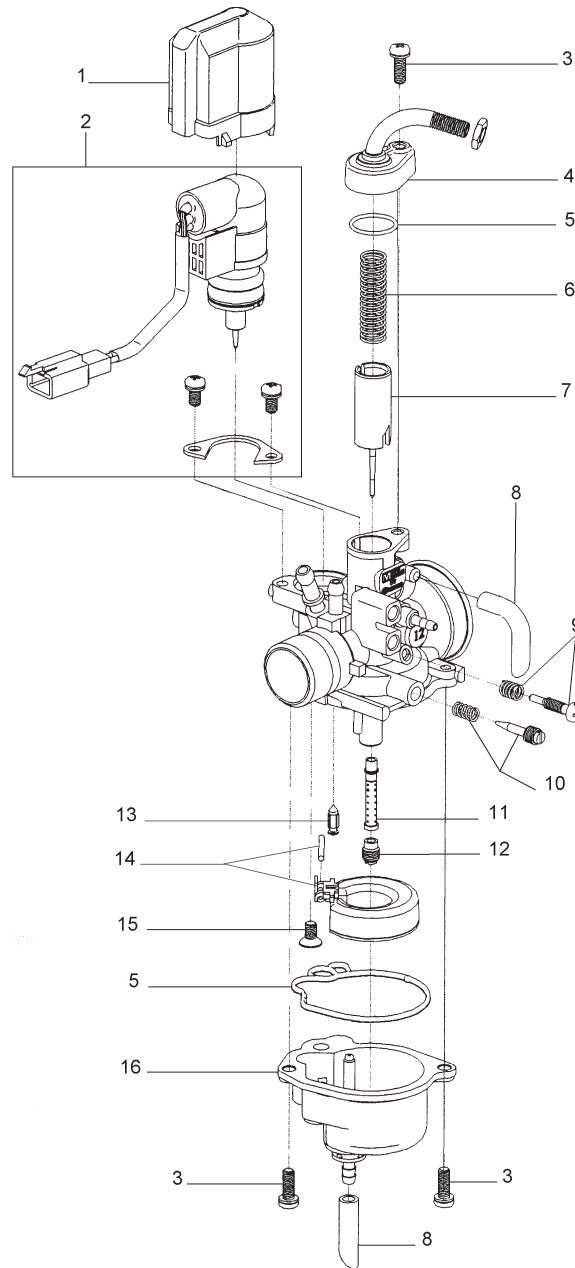


| Nr.  | Codice     | Q.tà | Descrizione                                 | Nr.  | Code       | Q.ty | Description                       |
|------|------------|------|---|------|------------|------|-----------------------------------|
| 15   | 715.091.00 | 1    | Carburatore Gurtner PY 12 / R 406           | 15   | 715.091.00 | 1    | Carburettor Gurtner PY 12 / R 406 |
| 19   | 771.125.00 | 1    | Cilindro completo di pistone                | 19   | 771.125.00 | 1    | Cylinder assy                     |
| 48   | 024.044.00 | 1    | Motorino avviamento                         | 48   | 024.044.00 | 1    | Starter motor                     |
| 62   | 771.116.00 | 1    | Pistone completo Ø 40                       | 62   | 771.116.00 | 1    | Piston assy Ø 40                  |
| 77   | 777.014.00 | 1    | Testa                                       | 77   | 777.014.00 | 1    | Cylinder head                     |
| 80   | 780.003.00 | 1    | Ventola                                     | 80   | 780.003.00 | 1    | Fan                               |
| 82   | 782.018.00 | 1    | Volano magnete                              | 82   | 782.018.00 | 1    | Magneto flywheel assy             |
| 111  | 711.008.00 | 1    | Candela                                     | 111  | 711.008.00 | 1    | Spark plug                        |
| 172  | 717.006.00 | 1    | Cinghia di trasmissione                     | 172  | 717.006.00 | 1    | V-belt                            |
| 211  | 721.067.00 | 1    | Convogliatore ventola                       | 211  | 721.067.00 | 1    | Air shroud (outer)                |
| 212  | 721.052.00 | 1    | Coperchio messa in moto (nero)              | 212  | 721.052.00 | 1    | Case cover                        |
| 213  | 721.053.00 | 1    | Coperchio trasmissione                      | 213  | 721.053.00 | 1    | Gear cover                        |
| 215  | 721.054.00 | 1    | Cuffia convogliatore cilindro               | 215  | 721.054.00 | 1    | Air shroud (inner)                |
| 381  | 771.117.00 | 1    | Imbiellaggio                                | 381  | 771.117.00 | 1    | Crankshaft                        |
| 382  | 771.118.00 | 1    | Biella completa                             | 382  | 771.118.00 | 1    | Connecting rod                    |
| 601  | 760.043.00 | 1    | Puleggia anteriore fissa                    | 601  | 760.043.00 | 1    | Primary fixed pulley              |
| 604  | 760.044.00 | 1    | Puleggia anteriore mobile con boccola       | 604  | 760.044.00 | 1    | Primary pulley                    |
| 606  | 760.045.00 | 1    | Collettore aspirazione                      | 606  | 760.045.00 | 1    | Intake manifold                   |
| 641  | 764.006.00 | 1    | Pompa olio completa                         | 641  | 764.006.00 | 1    | Oil pump assy                     |
| 681  | 771.120.00 | 1    | Serie segmenti Ø 40                         | 681  | 771.120.00 | 1    | Piston ring set Ø 40              |
| 701  | 770.018.00 | 1    | Coppia carter motore                        | 701  | 770.018.00 | 1    | Crankcase set                     |
| 912  | 701.041.00 | 1    | Albero messa in moto                        | 912  | 701.041.00 | 1    | Kick start shaft                  |
| 914  | 701.042.00 | 1    | Albero uscita moto completo Z = 36          | 914  | 701.042.00 | 1    | Drive shaft assy Z=46             |
| 916  | 701.043.00 | 1    | Albero trasmissione Z = 13                  | 916  | 701.043.00 | 1    | Gear shaft Z=13                   |
| 2449 | 724.044.00 | 2    | Gommino supporto convogliatore cilindro     | 2449 | 724.044.00 | 2    | Cylinder cover grommet            |
| 2479 | 724.045.00 | 1    | Gommino silentblock carter                  | 2479 | 724.045.00 | 1    | Rubber                            |
| 2485 | 724.047.00 | 1    | Raccordo plastica sfiato olio               | 2485 | 724.047.00 | 1    | Oil breather pipe                 |
| 2492 | 724.048.00 | 1    | Tappo alimentazione olio                    | 2492 | 724.048.00 | 1    | Oil plug                          |
| 2493 | 724.049.00 | 3    | Tassello di traino                          | 2493 | 724.049.00 | 3    | Dowels                            |
| 2601 | 726.017.00 | 1    | Campana frizione                            | 2601 | 726.017.00 | 1    | Clutch housing                    |
| 2626 | 726.018.00 | 1    | Puleggia secondaria fissa completa          | 2626 | 726.018.00 | 1    | Secondary fixed pulley            |
| 2627 | 726.019.00 | 1    | Puleggia secondaria mobile completa         | 2627 | 726.019.00 | 1    | Secondary pulley                  |
| 2642 | 726.020.00 | 1    | Cappellotto porta tasselli                  | 2642 | 726.020.00 | 1    | Dowelholder cap                   |
| 2664 | 726.021.00 | 1    | Piastrina ritegno paraolio                  | 2664 | 726.021.00 | 1    | Plate                             |
| 2665 | 726.022.00 | 1    | Piastrina ingranaggio doppio intermedio E/S | 2665 | 726.022.00 | 1    | Idle gear plate                   |
| 2667 | 726.023.00 | 1    | Piastrina traino puleggia anteriore fissa   | 2667 | 726.023.00 | 1    | Drive pulley lock washer          |
| 2688 | 726.026.00 | 1    | Scodellino dentato messa in moto            | 2688 | 726.026.00 | 1    | Drive plate                       |
| 2689 | 726.025.00 | 1    | Scodellino portamolla variatore             | 2689 | 726.025.00 | 1    | Spring holder                     |
| 3520 | 735.030.00 | 1    | Frizione centrifuga completa                | 3520 | 735.030.00 | 1    | Clutch assy                       |
| 4040 | 740.120.00 | 1    | Ingranaggio doppio intermedio Z = 12/48     | 4040 | 740.120.00 | 1    | Idle gear assy Z=12/48            |
| 4041 | 740.121.00 | 1    | Ingranaggio doppio intermedio E/S           | 4041 | 740.121.00 | 1    | Idle gear assy E/S                |
| 4043 | 740.122.00 | 1    | Corona avviamento elettrico Z = 71          | 4043 | 740.122.00 | 1    | Kick start gear Z=71              |
| 4048 | 740.123.00 | 1    | Ingranaggio conduttore pompa olio           | 4048 | 740.123.00 | 1    | Pump drive gear                   |
| 4066 | 740.124.00 | 1    | Ingranaggio scorrevole messa in moto        | 4066 | 740.124.00 | 1    | Kick start pinion gear            |

| Nr.   | Codice     | Q.tà | Descrizione                                   | Nr.   | Code       | Q.ty | Description                          |
|-------|------------|------|---|-------|------------|------|--------------------------------------|
| 4085  | 740.125.00 | 1    | Ruota libera completa                         | 4085  | 740.125.00 | 1    | Free wheel assy                      |
| 4618  | 746.039.00 | 1    | Molla puleggia secondaria mobile              | 4618  | 746.039.00 | 1    | Secondary pulley spring              |
| 4626  | 746.040.00 | 1    | Molla scorrevole messa in moto                | 4626  | 746.040.00 | 1    | Kick start thrust spring             |
| 4645  | 746.050.00 | 2    | Molla richiamo ceppi frizione                 | 4645  | 746.050.00 | 2    | Clutch pad spring                    |
| 4665  | 746.042.00 | 1    | Molla ritorno leva messa in moto              | 4665  | 746.042.00 | 1    | Kick start return spring             |
| 4680  | 746.043.00 | 1    | Molla a disco ingranaggio doppio intermedio   | 4680  | 746.043.00 | 1    | Idle gear spring                     |
| 5104  | 751.062.00 | 1    | Distanziale Ø 18 x 23 x 5,5                   | 5104  | 751.062.00 | 1    | Spacer Ø 18 x 23 x 5,5               |
| 5105  | 751.041.00 | 1    | Boccola albero messa in moto Ø 15 x 20 x 30   | 5105  | 751.041.00 | 1    | Kick start shaft bush Ø 15 x 20 x 30 |
| 5108  | 751.042.00 | 1    | Boccola flangiata corona E/S                  | 5108  | 751.042.00 | 1    | Bush                                 |
| 5113  | 751.043.00 | 1    | Gabbia KBK Ø 10 x 14 x 12,5                   | 5113  | 751.043.00 | 1    | Cage KBK Ø 10 x 14 x 12,5            |
| 5127  | 751.045.00 | 1    | Boccola puleggia anteriore mobile             | 5127  | 751.045.00 | 1    | Primary pulley bush                  |
| 5150  | 751.046.00 | 1    | Cuscinetto Ø 17 x 40 x 12 (6203 - 2RS1)       | 5150  | 751.046.00 | 1    | Bearing Ø 17 x 40 x 12 (6203 - 2RS1) |
| 5151  | 751.047.00 | 1    | Cuscinetto Ø 10 x 30 x 9 (6200 - C3)          | 5151  | 751.047.00 | 1    | Bearing Ø 10 x 30 x 9 (6200 - C3)    |
| 5179  | 751.049.00 | 2    | Cuscinetto Ø 17 x 35 x 10 stagno (6003 - 2RS) | 5179  | 751.049.00 | 2    | Bearing Ø 17 x 35 x 10 (6003 - 2RS)  |
| 5305  | 753.104.00 | 2    | Anello di tenuta OR Ø 37,85 x 1,7             | 5305  | 753.104.00 | 2    | Oil seal OR Ø 37,85 x 1,7            |
| 5315  | 753.105.00 | 1    | Anello di tenuta OR Ø 13,8 x 2,4              | 5315  | 753.105.00 | 1    | Oil seal OR Ø 13,8 x 2,4             |
| 5320  | 753.106.00 | 1    | Guarnizione base cilindro                     | 5320  | 753.106.00 | 1    | Cylinder base gasket                 |
| 5327  | 753.107.00 | 1    | Guarnizione coperchio messa in moto           | 5327  | 753.107.00 | 1    | Sidecase gasket                      |
| 5328  | 753.108.00 | 1    | Guarnizione coperchio trasmissione            | 5328  | 753.108.00 | 1    | Gear box gasket                      |
| 5339  | 753.109.00 | 1    | Guarnizione statore volano magnete            | 5339  | 753.109.00 | 1    | Stator gasket                        |
| 5347  | 753.110.00 | 1    | Guarnizione valvola lamelle                   | 5347  | 753.110.00 | 1    | Reed valve gasket                    |
| 5350  | 753.111.00 | 1    | Guarnizione testa                             | 5350  | 753.111.00 | 1    | Head gasket                          |
| 5359  | 753.112.00 | 1    | Guarnizione vite scarico olio                 | 5359  | 753.112.00 | 1    | Oil drain plug gasket                |
| 5602  | 756.083.00 | 6    | Massa centrifuga Ø 8,8                        | 5602  | 756.083.00 | 6    | Centrifugal roller Ø 8,8             |
| 5615  | 756.029.00 | 2    | Grano riferimento carter                      | 5615  | 756.029.00 | 2    | Crankcase locating dowel             |
| 5616  | 756.030.00 | 4    | Grano riferimento coperchi                    | 5616  | 756.030.00 | 4    | Gearbox locating dowel               |
| 5628  | 756.069.00 | 1    | Perno ceppi freno                             | 5628  | 756.069.00 | 1    | Pin                                  |
| 5640  | 756.070.00 | 2    | Perno Ø 8 x 32                                | 5640  | 756.070.00 | 2    | Pin Ø 8 x 32                         |
| 5662  | 756.071.00 | 1    | Rullo Ø 3 x 11,8                              | 5662  | 756.071.00 | 1    | Pin Ø 3 x 11,8                       |
| 5668  | 756.072.00 | 2    | Rullino di guida variatore                    | 5668  | 756.072.00 | 2    | Pin guide                            |
| 5670  | 756.073.00 | 1    | Spinotto Ø 10 x 33                            | 5670  | 756.073.00 | 1    | Pin Ø 10 x 33                        |
| 6015  | 760.046.00 | 1    | Valvola lamelle completa                      | 6015  | 760.046.00 | 1    | Reed valve assy                      |
| 9323  | 703.028.00 | 2    | Anello di fermo spinotto Ø 11,8               | 9323  | 703.028.00 | 2    | Circlip Ø 11,8                       |
| 9353  | 703.005.00 | 1    | Anello seeger per albero Ø 15                 | 9353  | 703.005.00 | 1    | Kick start circlip A Ø 15            |
| 9360  | 703.023.00 | 3    | Anello seeger per albero Ø 17                 | 9360  | 703.023.00 | 3    | Engine pivot circlip Ø 17            |
| 9368  | 703.025.00 | 1    | Anello seeger per foro Ø 40                   | 9368  | 703.025.00 | 1    | Wheel bearing circlip Ø 40           |
| 9375  | 703.026.00 | 2    | Anello seeger per albero Ø 19                 | 9375  | 703.026.00 | 2    | Oil pump circlip Ø 19                |
| 49004 | 749.180.00 | 1    | Fascetta tubo pompa olio                      | 49004 | 749.148.00 | 1    | Clamp                                |
| 49005 | 749.270.00 | 1    | Fascetta antimanomissione flangia aspirazione | 49005 | 749.180.00 | 1    | Antitampering clamp                  |
| 49015 | 749.107.00 | 1    | Chiavetta volano magnete                      | 49015 | 749.107.00 | 1    | Woodruff key                         |
| 49040 | 749.210.00 | 1    | Dado M10 x 1,25                               | 49040 | 749.210.00 | 1    | Nut M10 x 1,25                       |
| 49041 | 749.181.00 | 1    | Dado M10 x 1,25 - H = 8                       | 49041 | 749.181.00 | 1    | Nut M10 x 1,25 - H = 8               |
| 49055 | 749.182.00 | 1    | Dado M28 x 1 - (CH = 41) - H = 4              | 49055 | 749.182.00 | 1    | Nut M28 x 1 - (CH = 41) - H = 4      |
| 49057 | 749.183.00 | 4    | Dado M7 x 1 fissaggio testa                   | 49057 | 749.183.00 | 4    | Nut M7 x 1                           |

| Nr.   | Codice     | Q.tà | Descrizione                                |
|-------|------------|------|--|
| 49058 | 749.184.00 | 1    | Dado M10 x 1 - (CH = 24) - H = 5,8         |
| 49059 | 749.185.00 | 1    | Dado M8 x 1,25 flangiato perno ceppi freno |
| 49070 | 749.186.00 | 1    | Distanziale cuscinetto paraolio frizione   |
| 49077 | 749.187.00 | 1    | Distanziale attacco carter                 |
| 49084 | 749.188.00 | 4    | Prigioniero fissaggio testa M7 x 1 x 109   |
| 49125 | 749.222.00 | 1    | Rondella acciaio blu Ø 13,2 x 20 x1,3      |
| 49129 | 749.189.00 | 1    | Rondella acciaio blu Ø 15,1 x 28 x 1       |
| 49221 | 749.190.00 | 1    | Vite autofilettante convogliatore ventola  |
| 49237 | 749.095.00 | 2    | Vite T.C.C.E. M5 x 14                      |
| 49243 | 749.036.00 | 2    | Vite T.C.C.E. M6 x 16                      |
| 49244 | 749.037.00 | 9    | Vite T.C.C.E. M6 x 20                      |
| 49247 | 749.039.00 | 8    | Vite T.C.C.E. M6 x 35                      |
| 49255 | 749.176.00 | 3    | Vite T.C.C.E. M6 x 12                      |
| 49285 | 749.191.00 | 1    | Vite TE M8 x 1,25 x 15 scarico olio        |
| 49292 | 184.218.00 | 3    | Vite antimanomissione M6                   |
| 49352 | 749.192.00 | 1    | Rondella conica scodellino messa in moto   |
| 49353 | 749.193.00 | 1    | Rondella Ø 10,5 x 18 x 2                   |
| 49354 | 749.194.00 | 2    | Rondella Ø 8 x 16 x 2                      |
| 49402 | 749.195.00 | 1    | Rondella acciaio blu Ø 12,1 x 25,8 x 1,2   |
| 49500 | 749.196.00 | 2    | Vite T.C.C.E. M6 x 20 con rondella (nera)  |
| 49501 | 749.197.00 | 8    | Vite T.C.C.E. M6 x 25 (nera)               |
| 49502 | 749.207.00 | 2    | Vite T.C.C.E. M6 x 35 (nera)               |
| 49505 | 749.198.00 | 1    | Vite T.C.C.E. M6 x 10                      |
| 49507 | 749.200.00 | 1    | Vite T.C.C.E. M6 x 60 (nera)               |
| 49508 | 749.201.00 | 3    | Vite T.C.C.E. M6 x 60 con rondelle         |
| 49715 | 749.202.00 | 1    | Rondella Ø 6,5 x 18 x 1,5                  |
| 51101 | 751.066.00 | 2    | Cuscinetto Ø 20 x 47 x 14 (6204)           |
| 51103 | 751.051.00 | 1    | Cuscinetto Ø 17 x 35 x 10 (6003)           |
| 51104 | 751.052.00 | 1    | Cuscinetto Ø 8 x 28 x 9 (638 - ZC3)        |
| 51301 | 751.053.00 | 1    | Gabbia Ø 57 x 61 x 10 (57RFN - 6110A)      |
| 53501 | 753.115.00 | 1    | Paraolio Ø 20 x 30/34 x 5/6,1              |
| 53502 | 753.116.00 | 1    | Paraolio Ø 20 x 42/43 x 8/9                |
| 53503 | 753.117.00 | 1    | Paraolio Ø 17 x 28 x 5,5                   |
| 53504 | 753.118.00 | 1    | Paraolio Ø 22 x 32 x 6                     |
| 53506 | 753.119.00 | 2    | Paraolio Ø 33 x 39 x 4                     |
| --    | 740.146.00 | 1    | Gruppo variatore con frizione              |
| --    | 771.124.00 | 1    | Serie paraoli CY 50                        |
| --    | 799.065.00 | 1    | Serie guarnizioni                          |
| --    | 771.121.00 | 1    | Pistone completo Ø 40,5 - 1° maggiorazione |
| --    | 771.121.01 | 1    | Pistone completo Ø 41 - 2° maggiorazione   |
| --    | 771.122.00 | 1    | Serie segmenti Ø 40,5 - 1° maggiorazione   |
| --    | 771.122.01 | 1    | Serie segmenti Ø 41 - 2° maggiorazione     |
| --    | 142.110.03 | 1    | Motore completo EURO 1                     |

| Nr.   | Code       | Q.ty | Description                                   |
|-------|------------|------|---|
| 49058 | 749.184.00 | 1    | Nut M10 x 1 - (CH = 24) - H = 5,8             |
| 49059 | 749.185.00 | 1    | Brake shaft nut M8 x 1,25                     |
| 49070 | 749.186.00 | 1    | Spacer  |
| 49077 | 749.187.00 | 1    | Spacer  |
| 49084 | 749.188.00 | 4    | Cylinder head stud                            |
| 49125 | 749.222.00 | 1    | Washer Ø 13,2 x 20 x1,3                       |
| 49129 | 749.189.00 | 1    | Washer Ø 15,1 x 28 x 1                        |
| 49221 | 749.190.00 | 1    | Screw   |
| 49237 | 749.095.00 | 2    | ScrewM5 x 14                                  |
| 49243 | 749.036.00 | 2    | Screw M6 x 16                                 |
| 49244 | 749.037.00 | 9    | Screw M6 x 20                                 |
| 49247 | 749.039.00 | 8    | Screw M6 x 35                                 |
| 49255 | 749.176.00 | 3    | Screw M6 x 12                                 |
| 49285 | 749.191.00 | 1    | Oil drain plug M8 x 1,25 x 15                 |
| 49292 | 184.218.00 | 3    | Antitampering screw                           |
| 49352 | 749.192.00 | 1    | Washer  |
| 49353 | 749.193.00 | 1    | Washer Ø 10,5 x 18 x 2                        |
| 49354 | 749.194.00 | 2    | Washer Ø 8 x 16 x 2                           |
| 49402 | 749.195.00 | 1    | Washer Ø 12,1 x 25,8 x 1,2                    |
| 49500 | 749.196.00 | 2    | Screw M6 x 20 with washer (black)             |
| 49501 | 749.197.00 | 8    | Screw M6 x 25 (black)                         |
| 49502 | 749.207.00 | 2    | Screw M6 x 35 (black)                         |
| 49505 | 749.198.00 | 1    | Screw M6 x 10                                 |
| 49507 | 749.200.00 | 1    | Screw M6 x 60 (black)                         |
| 49508 | 749.201.00 | 3    | Screw M6 x 60 with washer                     |
| 49715 | 749.202.00 | 1    | Washer Ø 6,5 x 18 x 1,5                       |
| 51101 | 751.066.00 | 2    | Bearing Ø 20 x 47 x 14 (6204)                 |
| 51103 | 751.051.00 | 1    | Bearing Ø 17 x 35 x 10 (6003)                 |
| 51104 | 751.052.00 | 1    | Bearing Ø 8 x 28 x 9 (638 - ZC3)              |
| 51301 | 751.053.00 | 1    | Roller bearing Ø 57 x 61 x 10 (57RFN - 6110A) |
| 53501 | 753.115.00 | 1    | Oil seal Ø 20 x 30/34 x 5/6,1                 |
| 53502 | 753.116.00 | 1    | Oil seal Ø 20 x 42/43 x 8/9                   |
| 53503 | 753.117.00 | 1    | Oil seal Ø 17 x 28 x 5,5                      |
| 53504 | 753.118.00 | 1    | Oil seal Ø 22 x 32 x 6                        |
| 53506 | 753.119.00 | 2    | Oil seal Ø 33 x 39 x 4                        |
| --    | 740.146.00 | 1    | Variable transmission clutch set              |
| --    | 771.124.00 | 1    | Oil seal set                                  |
| --    | 799.065.00 | 1    | Gasket set                                    |
| --    | 771.121.00 | 1    | Piston assy Ø 40,5 - 1°                       |
| --    | 771.121.01 | 1    | Piston assy Ø 41 - 2°                         |
| --    | 771.122.00 | 1    | Piston ring set Ø 40,5 - 1°                   |
| --    | 771.122.01 | 1    | Piston ring set Ø 41 - 2°                     |
| --    | 142.110.03 | 1    | Engine assy EURO 1                            |



| Nr. | Codice     | Q.tà | Descrizione                                   | No. | Code       | Q.ty | Description                               |
|-----|------------|------|---|-----|------------|------|---|
| 01  | 623.101.00 | 1    | Cappuccio                                     | 01  | 623.101.00 | 1    | Cap                                       |
| 02  | 623.120.00 | 1    | Starter completo                              | 02  | 623.120.00 | 1    | Starter, complete                         |
| 03  | 623.106.00 | 3    | Vite  | 03  | 623.106.00 | 3    | Screw                                     |
| 04  | 623.117.00 | 1    | Coperchio completo                            | 04  | 623.117.00 | 1    | Cover, complete                           |
| 05  | 623.119.00 | 1    | Kit guarnizioni                               | 05  | 623.119.00 | 1    | Gasket set                                |
| 06  | 623.098.00 | 1    | Molla valvola gas                             | 06  | 623.098.00 | 1    | Throttle valve spring                     |
| 07  | 623.110.00 | 1    | Valvola gas completa                          | 07  | 623.110.00 | 1    | Throttle valve, complete                  |
| 08  | 623.124.00 | 1    | Kit tubi sfiato - presa aria                  | 08  | 623.124.00 | 1    | Breather pipe/air intake kit              |
| 09  | 623.121.00 | 1    | Vite regolazione valvola gas                  | 09  | 623.121.00 | 1    | Throttle valve adj. screw                 |
| 10  | 623.122.00 | 1    | Vite regolazione minimo                       | 10  | 623.122.00 | 1    | Idling mix adjusting screw                |
| 11  | 623.113.00 | 1    | Polverizzatore                                | 11  | 623.113.00 | 1    | Spray nozzle                              |
| 12  | 623.145.00 | 1    | Getto max. Ø 66                               | 12  | 623.145.00 | 1    | Max. jet Ø 66                             |
| 13  | 623.114.00 | 1    | Valvola a spillo                              | 13  | 623.114.00 | 1    | Needle valve                              |
| 14  | 623.123.00 | 1    | Galleggiante completo                         | 14  | 623.123.00 | 1    | Float assy                                |
| 15  | 623.107.00 | 1    | Vite fissaggio galleggiante                   | 15  | 623.107.00 | 1    | Float clamp screw                         |
| 16  | 623.116.00 | 1    | Vaschetta completa                            | 16  | 623.116.00 | 1    | Float chamber, complete                   |
| --  | 715.091.00 | 1    | Carburatore completo<br>Gurtner PY 12 / R 406 | --  | 715.091.00 | 1    | Carburettor assy<br>Gurtner PY 12 / R 406 |